

Cobalt

Installation/Operation Manual with Service Replacement Parts



Undercounter Dishwasher

2700 HT
High Temperature Wash and
Drain with built-in booster
and Pumped Final Rinse



Issue Date: 22.08.20

Manual P/N 0514043 Rev. B

For machines beginning with S/N W200194397 and above

Cobalt Dishwashers Ltd. 7845 Colony Rd., Suite C4-257 Charlotte, NC 28226

1.866.418.0904

www.cobaltdishwashers.com



The Spirit of Excellence

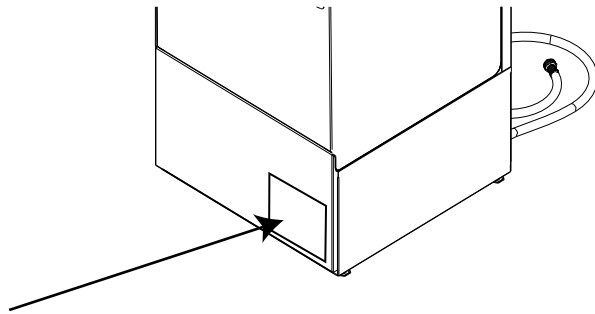
**This Page
Intentionally
Left Blank**

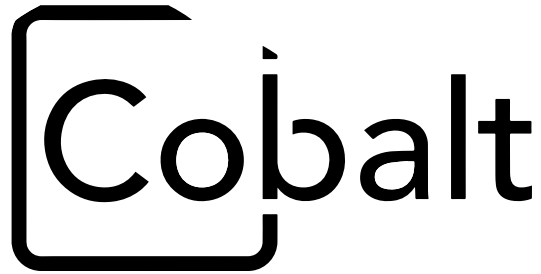
ATTENTION

The model no., serial no., voltage, Hz and phase are needed to identify your machine and to answer questions.

The machine data plate
is located on the right front corner
of the lower panel

Please have this information ready
if you call for service assistance.





PRODUCT REGISTRATION BY FAX

Fax: 336-661-1979

PRODUCT REGISTRATION CARD

Model

Serial #

Date of Installation: ___/___/___

Company Name: _____

Address: _____
(Street)

Telephone #: () _____ -- _____
State Zip or or Province Postal Code

Contact: _____

Installation Company: _____

Address: _____

Telephone #: _____

Contact: _____

FAILURE TO REGISTER YOUR PRODUCT MAY VOID YOUR WARRANTY

IMPORTANT IMPORTANT

Revision History

Specifications are subject to change based on continual product improvement.

| Revision Date | Revised Pages | Serial Number Effectivity | Revision Description |
|---------------|---------------|---------------------------|--|
| 8.22.20 | All | 200194397 | Released first edition |
| 7.7.23 | 2 | ALL | Updated page to have sump fill line. |
| | 8,9,11 | W2307114545 | New pump illustrations shown. |
| | 13 | W2307114545 | Priming instructions updated based on new pump configuration. |
| | 39 | W2307114545 | Pump bracket updated to: 0314124 Additional pump & squeeze tube added for detergent set up. |
| | 41 | W2307114545 | Updated wiring harness: 0514121 |

LIMITED WARRANTY

Cobalt Dishwashers Ltd (herein referred to as Cobalt Dishwashers Ltd. 7845 Colony Rd., Suite C4-257 Charlotte, NC. 28226) warrants machines, and parts, as set out below.

WARRANTY OF MACHINES: Cobalt Dishwashers Ltd warrants all new machines of its manufacture bearing the name Cobalt Dishwashers Ltd and installed within the United States and Canada to be free from defects in material and workmanship for a period of one (1) year after the date of installation or fifteen (15) months after the date of shipment by Cobalt Dishwashers Ltd, whichever occurs first. Products shipped outside of United States do not have warranty. The warranty registration card must be returned to Cobalt Dishwashers Ltd within ten (10) days after installation. Warranty registration must be submitted to Cobalt Dishwashers Ltd within ten (10) days after installation either online <http://www.cobaltdishwashers.com> or by fax on the form provided in the front of this manual if warranty card is not returned to Cobalt Dishwashers Ltd within such period, the warranty will expire after one year from the date of shipment. Cobalt Dishwashers Ltd will not assume any responsibility for extra costs for installation in any area where there are jurisdictional problems with local trades or unions. If a defect in workmanship or material is found to exist within the warranty period, Cobalt Dishwashers Ltd, at its election, will either repair or replace the defective parts, machine or accept return of the machine for full credit. In the event that Cobalt Dishwashers Ltd elects to repair, the labour and work to be performed in connection with the warranty shall be done by a Cobalt Dishwashers Ltd "Authorized Service Agent" during regular working hours and will be covered at normal rates and any additional overtime rate will be at the responsibility of the equipment purchaser. Warranty is covered up to 50 miles or 80 km's of travel from a Cobalt Dishwashers Ltd authorized service technician. If travel exceeds 50 miles or 80 km's, then the end user will be responsible for additional travel expense. Service calls initiated under warranty that are found to not contain any defects in materials or workmanship, will not be covered by Cobalt Dishwashers Ltd. Defective parts become the property of Cobalt Dishwashers Ltd. Use of non OEM replacement parts not authorized by Cobalt Dishwashers Ltd will relieve Cobalt Dishwashers Ltd of all liability in connection with its warranty. In no event will Cobalt Dishwashers Ltd's warranty obligation exceed Cobalt Dishwashers Ltd's charge for the machine. Models that come with a factory paid start-up will be limited to one visit. Machines found to have issues related to installation procedures, or delays of any kind, will not be covered by Cobalt Dishwashers Ltd and the sole responsibility of the equipment purchaser.

The following are not covered by Cobalt Dishwashers Ltd 's warranty:

- a. Element tubes and/or squeeze tubes.
- b. Vacuum breakers.
- c. Replacement of fuses or resetting of overload breakers, or high limits.
- d. Adjustment of thermostats, or temperature controlling devices.
- e. Adjustment of clutches.
- f. Adjustments of water pressure(s).

- g. Adjustments of chemical pumps.
 - h. Opening or closing of utility supply valves or switching of electrical supply current.
 - i. Cleaning of valves, strainers, screens, nozzles, or spray pipes.
 - j. Performance of regular maintenance and cleaning as outlined in operator's guide.
 - k. Damages resulting from water conditions, accidents, alterations, improper use, abuse, tampering, improper installation, low voltage conditions, inadequate wiring, outdoor use, or failure to follow maintenance and operation procedures.
 - l. Wear on Pulper cutter blocks, pulse vanes, and auger brush.
 - m. Damages due to improper storage.
 - n. Special installations or applications, including remote locations, are limited in coverage by this warranty. Any installation that requires extra work, and/or travel, to gain access to the unit for service is the sole responsibility of the equipment purchaser.
- Examples of the defects not covered by warranty include, but are not limited to:
1. Damage to the exterior or interior finish as a result of the above.
 2. Use with utility service other than that designated on the rating plate.
 3. Improper connection to utility service.
 4. Inadequate or excessive water pressure.
 5. Corrosion from foreign materials, water supplies, improper chemicals, or chemicals dispensed in excess of recommended concentrations.
 6. Failure of electrical components due to connection of chemical dispensing equipment installed by others.
 7. Leaks or damage resulting from such leaks caused by water quality, or the installer, including machine table connections or by connection of chemical dispensing equipment installed by others.
 8. Failure to comply with all local building codes.
 9. Damage caused by labor dispute.

WARRANTY OF PARTS: Cobalt Dishwashers Ltd warrants all new machine parts produced or authorized by Cobalt Dishwashers Ltd to be free from defects in material and workmanship for a period of 90 days from date of invoice. If any defect in material and workmanship is found to exist within the warranty period, Cobalt Dishwashers Ltd will replace the defective part without charge.

DISCLAIMER OF WARRANTIES AND LIMITATIONS OF LIABILITY. WARRANTY IS ONLY TO THE EXTENT REFLECTED ABOVE. COBALT DISHMACHINES MAKES NO OTHER WARRANTIES, EXPRESS OR IMPLIED, INCLUDING, BUT NOT LIMITED TO, ANY WARRANTY OF MERCHANTABILITY, OR FITNESS OF PURPOSE. COBALT DISHMACHINES SHALL NOT BE LIABLE FOR INCIDENTAL OR CONSEQUENTIAL DAMAGES. THE REMEDIES SET OUT ABOVE ARE THE EXCLUSIVE REMEDIES FOR ANY DEFECTS FOUND TO EXIST IN COBALT DISHWASHING MACHINES AND COBALT DISHMACHINES PARTS, AND ALL OTHER REMEDIES ARE EXCLUDED, INCLUDING ANY LIABILITY FOR INCIDENTALS OR CONSEQUENTIAL DAMAGES.

Cobalt Dishwashers Ltd *does not authorize any other person, including persons who deal in Cobalt Dishwashers Ltd dishwashing machines, to change this warranty or create any other obligation in connection with Cobalt Dishwashers Ltd dishwashing machines.*

Table of Contents

| | |
|--|-----------|
| Revision History | i |
| Limited Warranty | ii |
| Installation | 1 |
| Installation Codes | 1 |
| Receiving | 1 |
| Placement | 1 |
| Water Connection | 2 |
| Drain Connection | 3 |
| Electrical Connection | 6 |
| Booster Fill Procedure | 10 |
| | |
| Machine Start-up | 11 |
| Chemical Dispensing Pumps..... | 11 |
| Detergent and Rinse-aid Injection Points | 12 |
| Priming the Chemical Dispensing Pumps | 11 |
| | |
| Operation | 14 |
| Normal Wash Mode | 14 |
| Loading Dish Racks | 15 |
| Operational Display..... | 17 |
| Start-up Sequence..... | 17 |
| Sump Fill Level | 18 |
| Wash Cycle | 18 |
| Rinse Sentry..... | 19 |
| AutoClean Drain | 19 |
| | |
| Cleaning | 20 |
| Cleaning the Wash Tank | 20 |
| Cleaning the Wash Arms | 21 |
| Cleaning Scrap Screen and Sump Strainer | 23 |
| Deliming | 24 |
| | |
| Maintenance | 24 |
| Maintenance Schedules | 24 |
| Diagnostic Features..... | 26 |
| Sensor Fault..... | 28 |
| Parameter Settings..... | 28 |
| | |
| Service Parts | 31 |
| | |
| Electrical Schematic | 54 |
| Timing Chart..... | 55 |
| Parameter Settings Instruction Sheet..... | 56 |

**This Page
Intentionally
Left Blank**

INSTALLATION CODES

The installation of the dishwasher must comply with all local electrical, plumbing, health and safety codes or in the absence of local codes, installed in accordance with the applicable requirements in the National Electrical Code, NFPA 70, Canadian Electrical Code (CEC), Part 1, CSA C22.1; and the Standard for Ventilation Control and Fire Protection of Commercial Cooking Operations, NFPA 96.

RECEIVING

- Inspect the shipping carton damage and report immediately.
- Inspect the shipment for accessories and items shipped with the machine.
- Compare the installation site utilities to ensure they are the correct size and location.

⚠ CAUTION: Be careful when moving the dishwasher to prevent damage.

PLACEMENT

1. The dishwasher can be installed as a free-standing unit or under a counter-top. The typical counter-top height in most locations is 34" [86cm].
2. It is highly recommended that the underside of the counter-top be clad in metal.
3. Under counter installations should provide storage space for the dishwasher chemical supply containers. Do not elevate the containers above the finished floor.
4. Chemical supply containers should be placed as close to the machine as possible and the chemical tubing taped to the back of the machine should be repositioned before permanently placing the machine.
5. Place the dishwasher in its permanent location.
6. The dishwasher has 4 adjustable feet for leveling.
7. Level the dishwasher front-to-back and side-to-side.

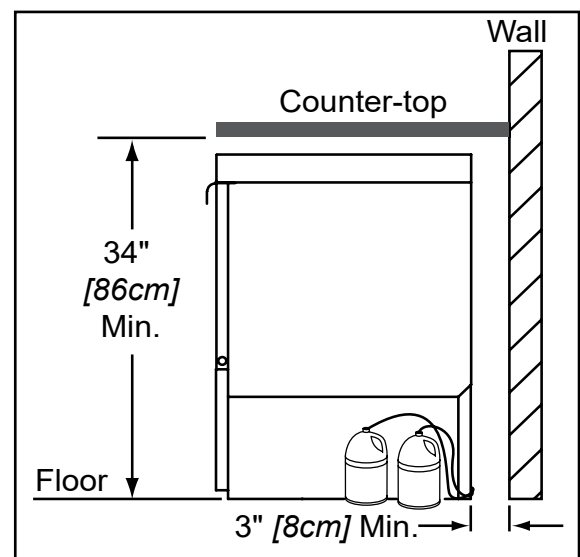


Fig. 1

Installation

WATER CONNECTION

NOTE:

The installation of the dishwasher must be performed by a qualified service personnel familiar with food service equipment. Problems due to improper installation are not covered by the Limited Warranty.

The installation of the dishwasher must comply with all local electrical, plumbing, health and safety codes or in the absence of local codes, installed in accordance with the applicable requirements in the National Electrical Code, NFPA 70, Canadian Electrical Code (CEC), Part 1, CSA C22.1; and the Standard for Ventilation Control and Fire Protection of Commercial Cooking Operations, NFPA 96.



CAUTION: Plumbing connections must be made BEFORE the electrical connections. Damage to water heaters will occur if the power is turned on without an adequate water supply.



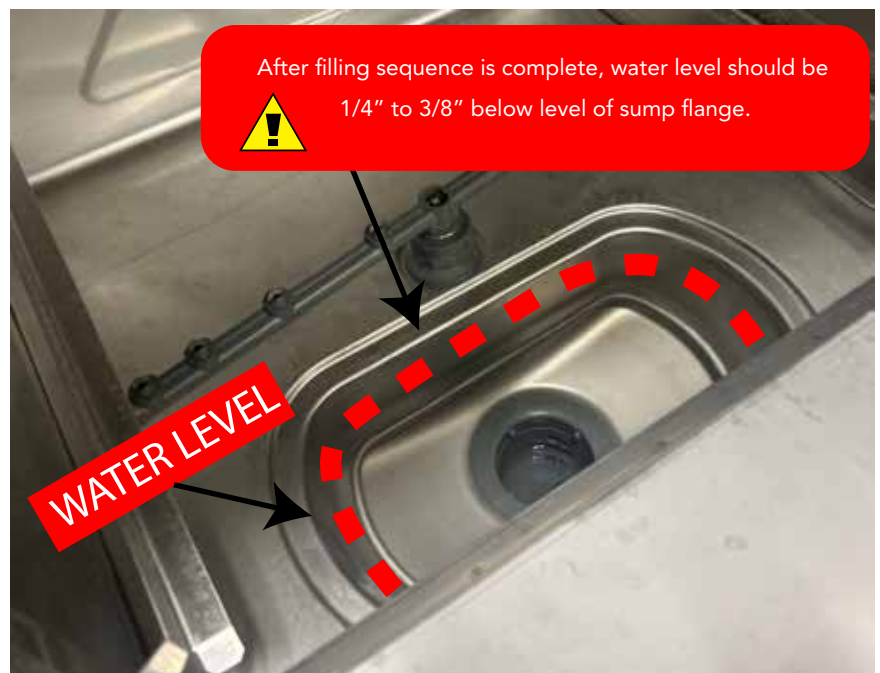
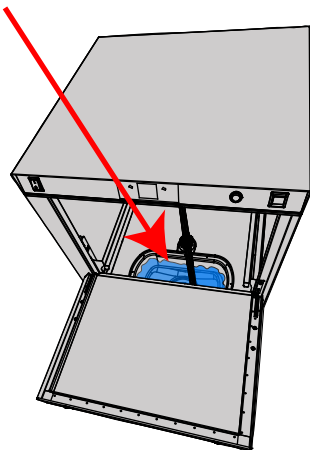
It is the installing plumber's responsibility to flush the incoming water line to remove debris before connecting to the machine. Failure to do so will void the warranty.

1. All models have a 6 ft. flexible hot water fill hose with a 3/4" female garden hose connector.
2. A 1/2" or larger main incoming supply line must be installed to the dishwasher.
3. A 1/2" or larger shut-off valve should be installed in the main water supply, as close to the dishwasher as possible for servicing.
4. A water hardness of 3 grains/gal (US) [5.3 mg/L] or less is recommended. Excessively hard water will negatively impact wash results.

THE NEXUS has a built-in flow control. The flowing incoming hot water supply must be between 25-95 psi. The hot water supply must provide a minimum 140°F/66°C measured at the dishwasher.



SUMP FILL LEVEL

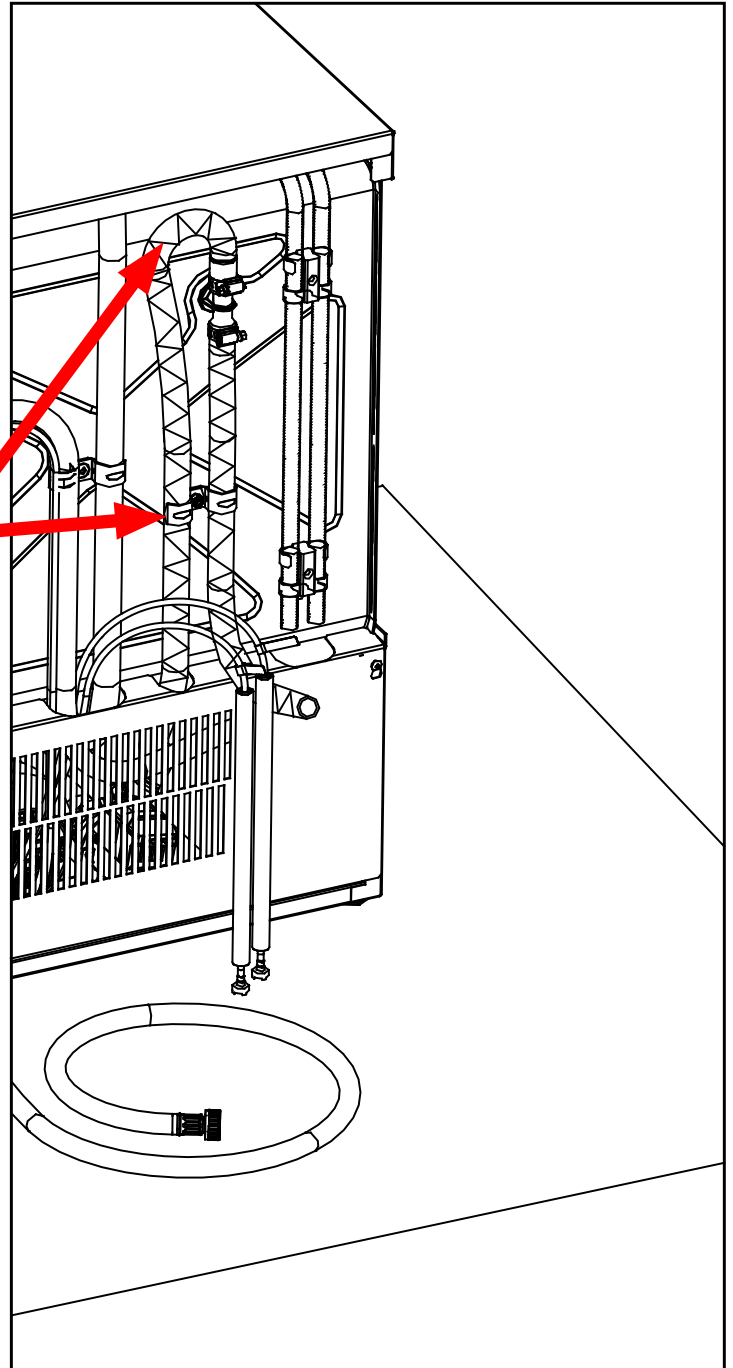


DRAIN CONNECTION

! VERY IMPORTANT !

The dishwasher will not drain correctly if it is connected to a disposer.

THE DRAIN HOSE IS LOOPED AND CLAMPED AND MUST NOT BE CHANGED. ALTERING THE DRAIN HOSE ROUTING MAY RESULT IN THE MACHINE'S INABILITY TO DRAIN OR MAY CAUSE THE MACHINE TO SIPHON THE WATER OUT OF THE MACHINE.



Installation

DRAIN CONNECTION (continued)

! ATTENTION !

Failure to follow the drain connection instructions may void the warranty.

1. Machine is equipped with a 6ft. [2m] 5/8" I.D. drain hose. The maximum drain height connection must not exceed 3ft. [1m] and must be vented to prevent wash tank siphoning.
2. Drain hose is located at the rear of the machine and is secured by two clamps to maintain the anti-siphoning loop in the drain hose.
3. A 3/4" hose barb fitting is strapped to the drain. The Hose Barb Fitting is P/N 0512321.
4. Additional parts are supplied by others.
5. The maximum drain flow is 15 US gpm/12.4 imp gpm, /60 lpm.

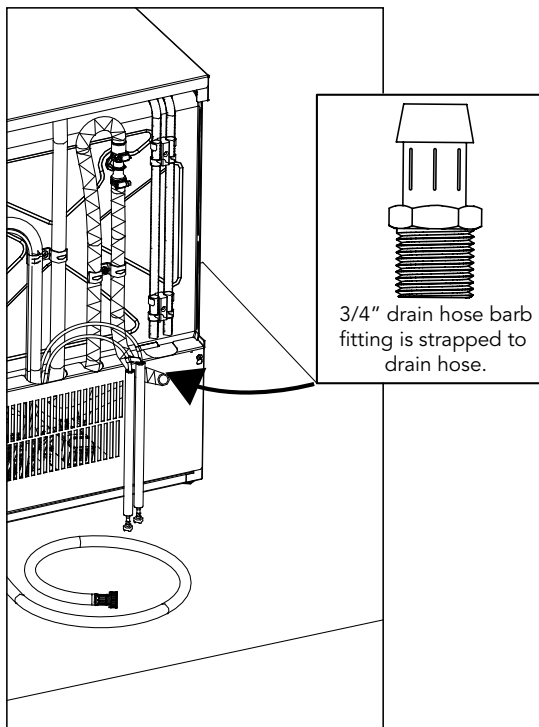


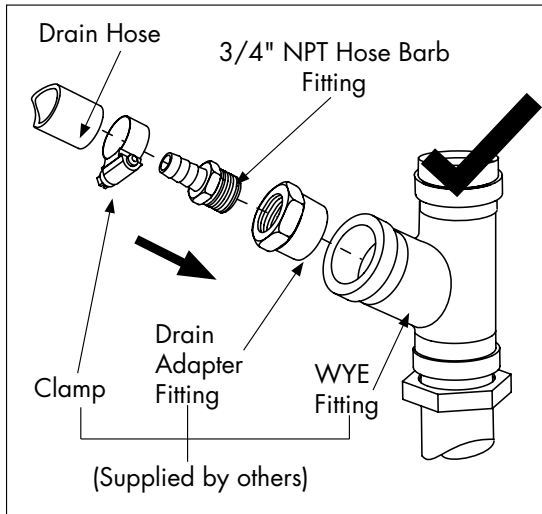
Fig. 2

DO NOT

- Do not remove the clamps holding the drain hose to the back of the machine.
- Do not connect the dishwasher to a disposer.
- Do not reduce the size of the drain hose connection or use a domestic drain fitting.
- Do not add additional length to the drain hose.
- Do not allow the drain hose to kink.

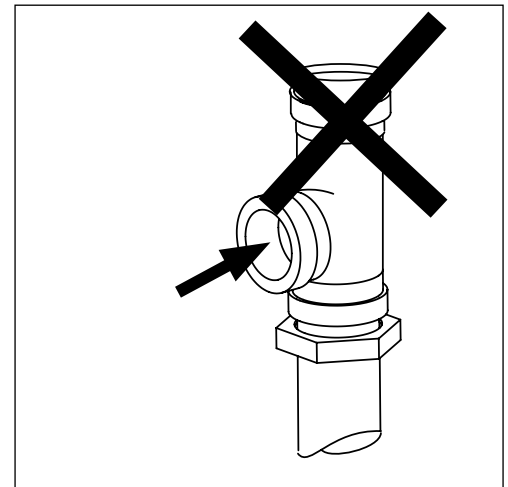
Building Drain Connection

1. Install the drain hose to an 1-1/2" or larger "WYE" fitting.
2. Building drain system must be properly vented.
3. **Connection to a "TEE" fitting will prevent the dishwasher from draining completely**



DO connect the flexible drain hose to a vented "WYE" connection.

Fig. 3



DO NOT
connect the flexible drain hose to a TEE fitting.

Indirect Drain Connection

1. A 1" (25.4mm) minimum air gap must be maintained between the outlet of the drain hose and the flood-level rim of the floor drain, floor sink, or any other locally approved drain receptacle (see Fig. 4).

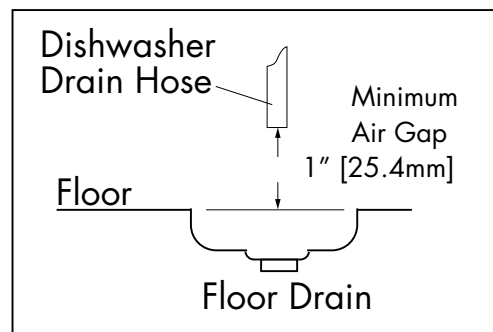


Fig. 4

! VERY IMPORTANT !

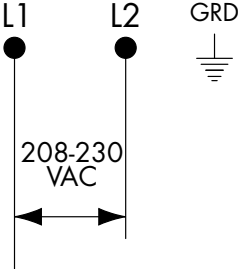
Drain problems are often due to improper installation of the drain hose and may not be covered by the limited warranty.

ELECTRICAL CONNECTION

Connect Power to the Main Terminal Block

NOTE:

The installation of the dishwasher must comply with all local electrical, plumbing, health and safety codes or in the absence of local codes, installed in accordance with the applicable requirements in the National Electrical Code, NFPA 70, Canadian Electrical Code (CEC), Part 1, CSA C22.1; and the Standard for Ventilation Control and Fire Protection of Commercial Cooking Operations, NFPA 96.

| SINGLE PHASE POWER CONNECTION | |
|--|--|
|  | |
| ! VERY IMPORTANT ! | |
| THE ELECTRICAL POWER MUST BE A 2-WIRE PLUS GROUND SUPPLY. | |
| HOW TO CONNECT 1 PHASE POWER | |
| 1. Check the data plate on the front of the dishwasher for the phase of the machine. | |
| If the data plate says the machine is 1 Phase, then connect a 1 PH power supply. | |
| 2. Remove the lower access panel. | |
| 3. Pull power connection box forward and out. | |
| 4. The Main Terminal Block has connections for L1, L2 and Ground. | |
| 5. Connect ground, then connect L1, L2 to 208-230VAC. | |
| DO NOT CONNECT POWER TO L3. | |
| 7. Main Power connections are complete. | |

ELECTRICAL CONNECTION

Connect Power to the Main Terminal Block



WARNING:

Electrocution may occur when working on energized circuits. Disconnect power at main breaker or service disconnect switch; lock out and tag to indicate work is being performed on the circuit.

! VERY IMPORTANT !

Provide a 3 feet/1 meter service loop in the power supply cable to service the machine.

! SINGLE PHASE POWER REQUIREMENT !

SINGLE PHASE COBALT

The electrical power must be a 2-wire plus ground supply.

ELECTRICAL CONNECTION

Connect Power to the Main Terminal Block

1. Remove the lower front dishwasher panel (Fig. 5).

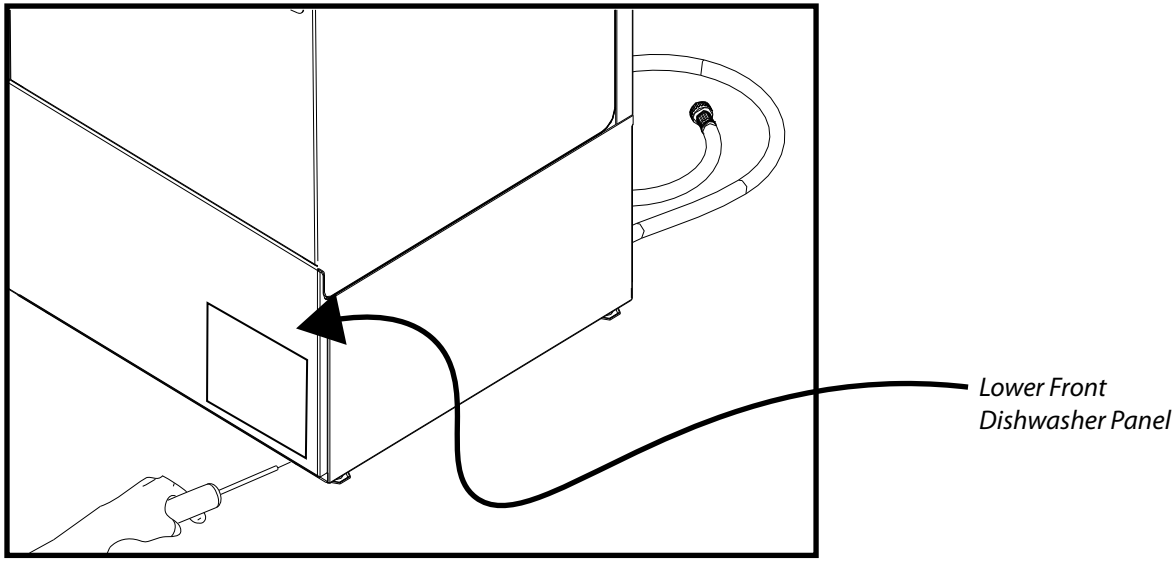


Fig. 5

2. Remove the retaining fastener (A) from the main terminal block (Fig. 6)

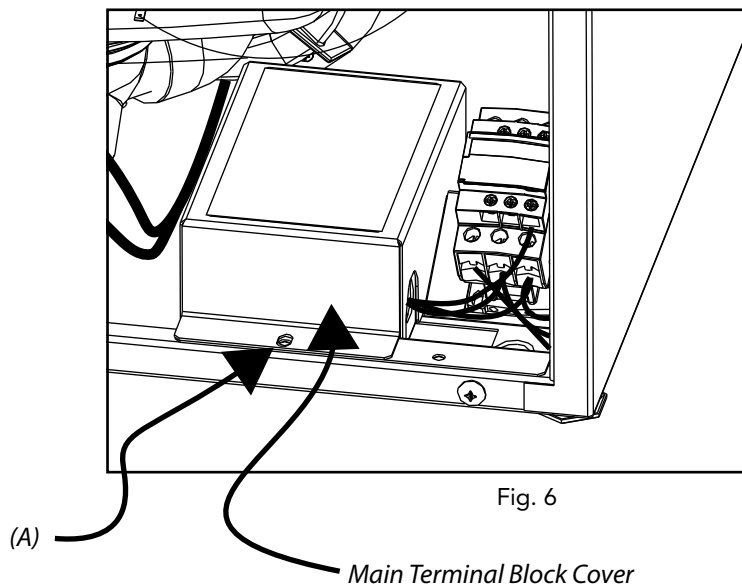


Fig. 6

(continued on next page)

ELECTRICAL CONNECTION

Connect Power to the Main Terminal Block

Refer to Fig. 7 below:

3. Provide a 3 foot/1 meter service loop in the machine power supply cable.
4. Route the power cable from machine rear to terminal block making sure the cable does not touch the booster tank.
5. Connect the power cable to the terminal block bracket using a suitable strain relief connector.
6. Connect the power wires according to the wiring diagram on page 6.

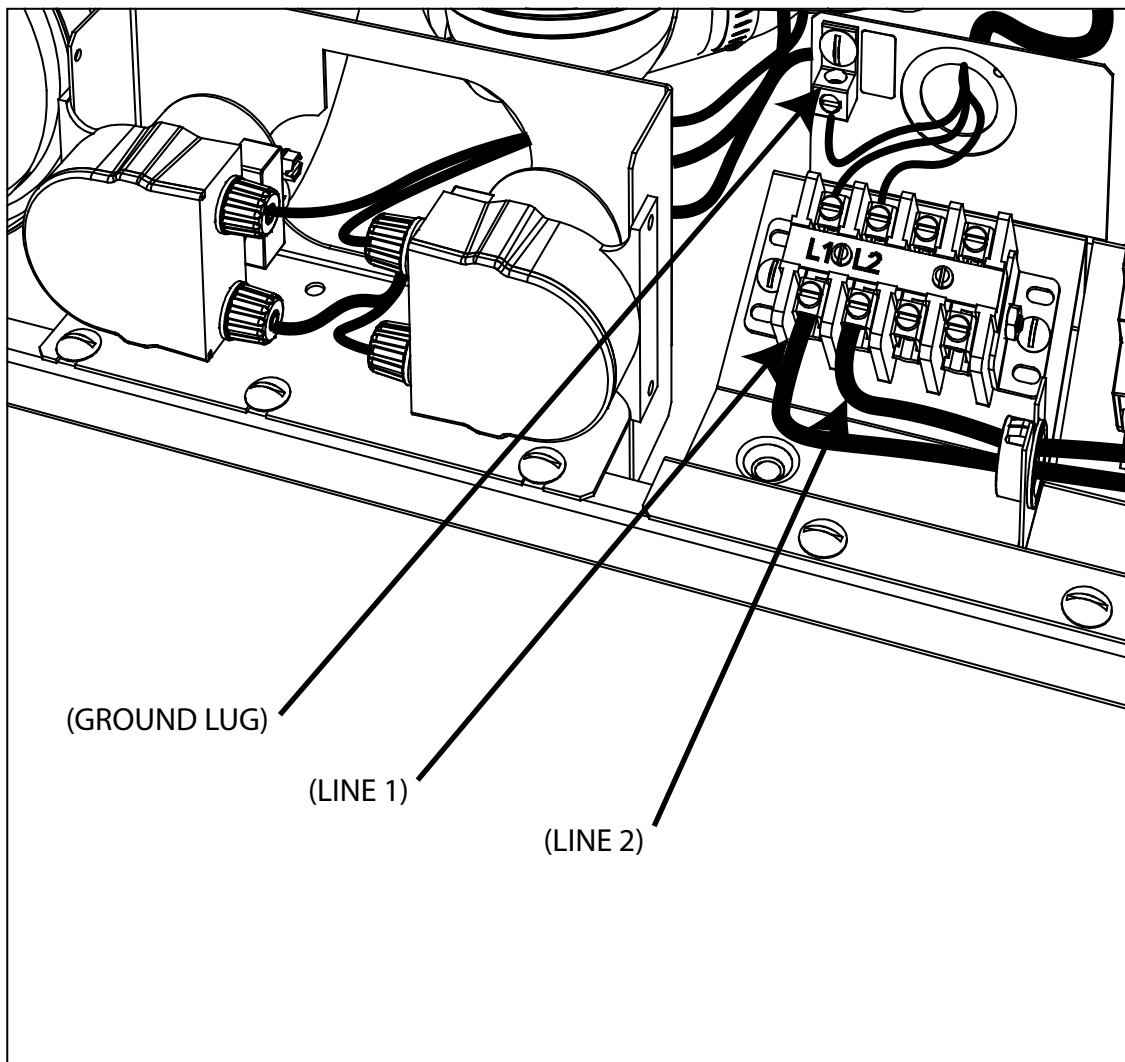


Fig. 7

BOOSTER FILL PROCEDURE

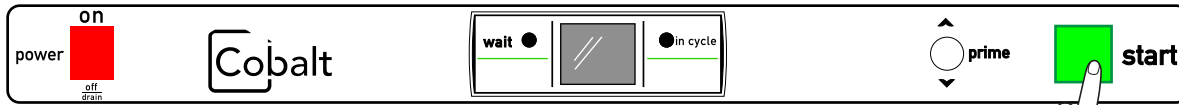


Fig.8

Follow the instructions to fill the booster tank prior to washing dishes.



1. **DO NOT TURN THE DISHWASHER POWER SWITCH ON**
2. Turn the main water supply to the machine ON.
3. Turn the main breaker or disconnect power switch ON.
4. Press and hold the dishwasher green start switch for three seconds to activate the fill solenoid.
5. Continue to hold the start switch until water enters the wash tank.
6. Release the green start button.
7. Booster pre-fill is complete.

MACHINE START-UP

Chemical Dispensing Pumps

! VERY IMPORTANT !

ALWAYS USE A COMMERCIAL GRADE NON-CHLORINATED DETERGENT.
PLACE THE CHEMICAL CONTAINERS AS CLOSE TO THE MACHINE AS POSSIBLE.
DO NOT ELEVATE THE CONTAINERS ABOVE THE FINISHED FLOOR

! VERY IMPORTANT !

Contact a chemical supplier for detergent and rinse-aid chemicals. The chemical supplier must adjust the chemical dispensing pumps for water hardness and food soil types.

1. The detergent and rinse-aid pumps are located at the lower left-side of the machine behind the lower panel.
2. Each pump is equipped with 6 feet/ 1.8 meter of pick-up tubing. The tubing consists of supply tubing, stiffener tube, and strainer.
3. The tubing is stowed on the back of the machine for shipping.
4. A red label marked DETERGENT and a blue label marked RINSE-AID, identify the lines.

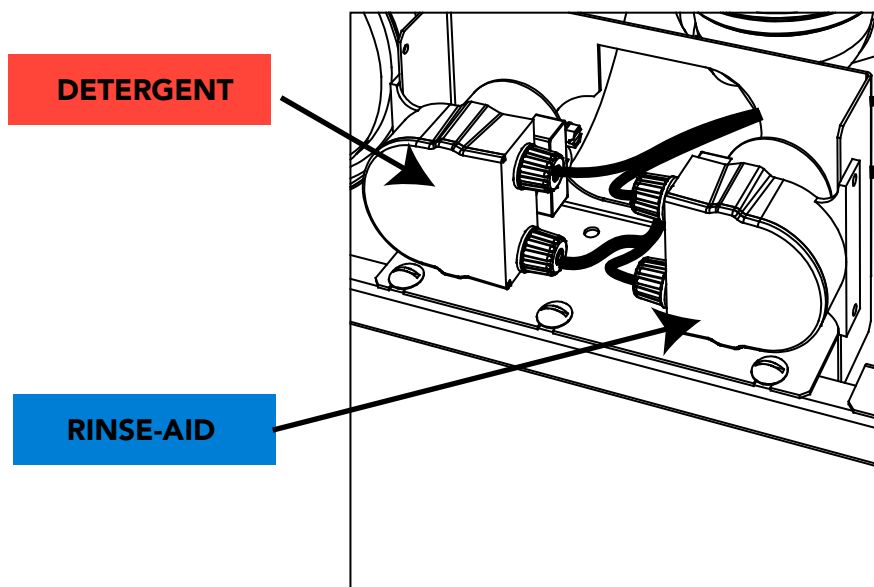


Fig. 12

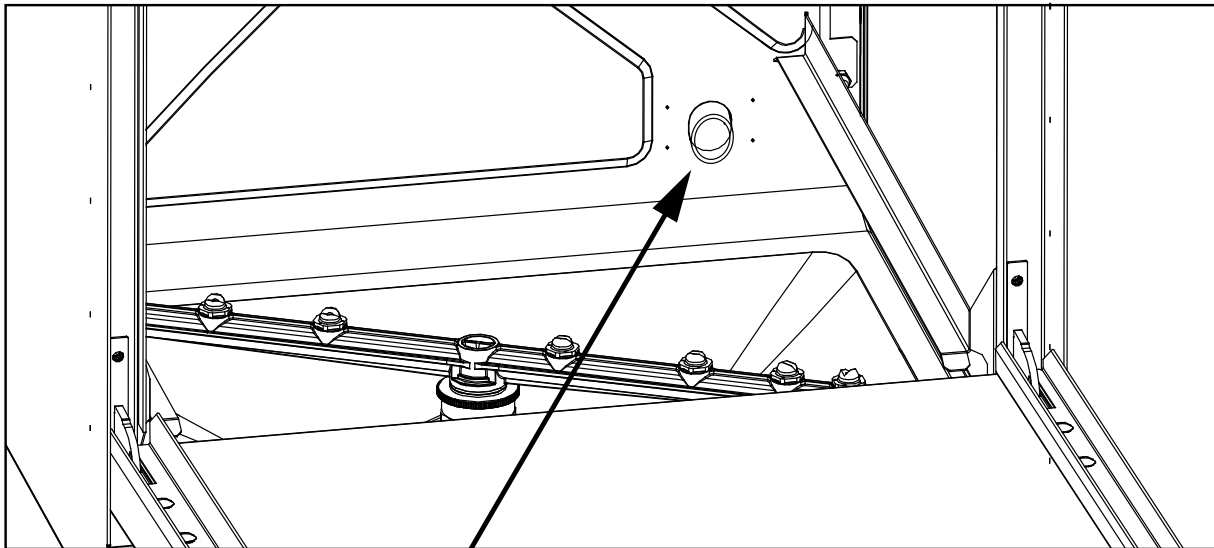
Detergent and Rinse-aid Pump Injection Points

! VERY IMPORTANT !

**ALWAYS USE A COMMERCIAL GRADE NON-CHLORINATED DETERGENT.
PLACE THE CHEMICAL CONTAINERS AS CLOSE TO THE MACHINE AS POSSIBLE.
DO NOT ELEVATE THE CONTAINERS ABOVE THE FINISHED FLOOR**

Injection Point Locations

1. The detergent and rinse-aid enter the wash tank through a fitting located at the right-rear corner of the machine.



DETERGENT AND
RINSE-AID
INJECTION POINT

Fig. 13

Priming the Chemical Dispensing Pumps

! VERY IMPORTANT !
 The chemical dispensing pumps must be primed before operating the dishwasher and whenever the container is changed.

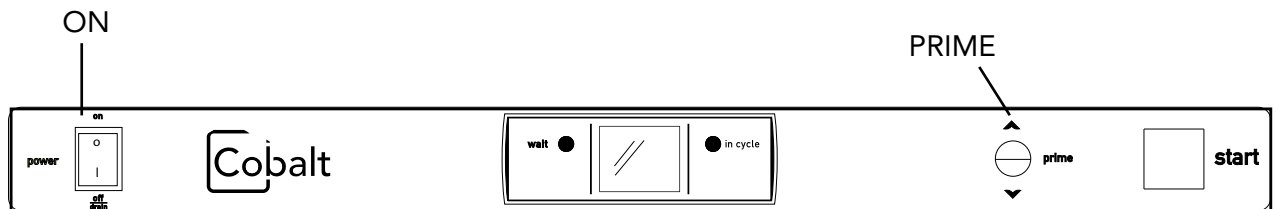


Fig.10

1. The chemical dispensing pump supply lines must be primed before the will pump properly.
2. Make sure the containers are full and the correct pick-up tubes are in their containers.
3. Turn the dishwasher power switch ON. The switch illuminates and the machine fills with water.
4. Open the dishwasher door, then push and hold the prime push button, (Fig. 11):

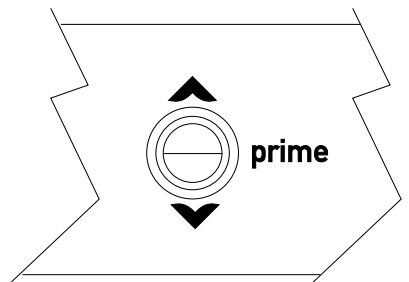


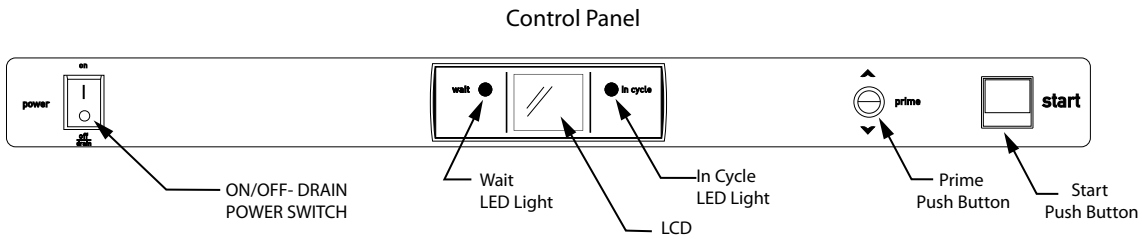
Fig.11

By pressing,UP to the detergent position until detergent is observed entering the wash compartment from the injection fitting in the right rear of the tank. Release the button.

By pressing,down to the rinse aid position until rinse aid is observed entering the wash compartment from the injection fitting in the right rear of the tank. Release the button.

! VERY IMPORTANT !
 INSPECT AND REPLACE THE CHEMICAL DISPENSING PUMP SQUEEZE TUBES EVERY SIX MONTHS.

NORMAL WASH MODE



1. Close the door dishwasher front door.
2. Push the Power Switch UP to turn on power.
3. The power switch will illuminate and the machine will fill with water.
4. Wait until the wash temperature indicates a minimum of 150°F/66°C.

PLACE AN EMPTY DISH RACK IN MACHINE AND RUN FIRST CYCLE EMPTY TO HEAT WASH TANK INTERIOR.

5. Load the dish rack into the machine. Wash one dish rack at a time.
6. Close the door and press the green start button for 1 second. The green in-cycle light will illuminate and the cycle will begin.
8. The final rinse cycle begins at the end of the wash cycle. The machine drains and refills with fresh hot water. The final rinse must indicate a minimum of 180-195°F/82-92°C.
9. Open the door and remove the wares when the green cycle light goes out.

! ATTENTION !

RINSE SENTRY MODE WILL EXTEND WASH CYCLE TIME

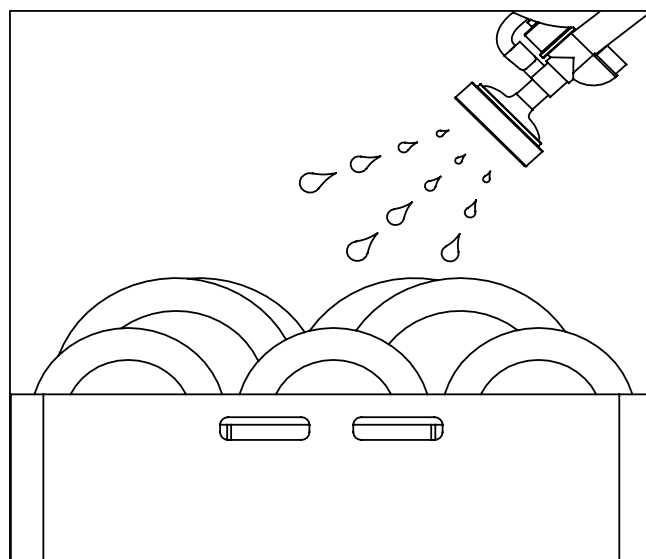
In the event the final rinse temperature has not reached 180-195°F/82-92°C. After the wash cycle, the rinse sentry will extend the wash cycle time until the booster reaches 180-195°F/82-92°C. If the proper temperature is not reached within 5 minutes, the machine will leave the rinse sentry mode and complete the cycle.

LOADING DISH RACKS

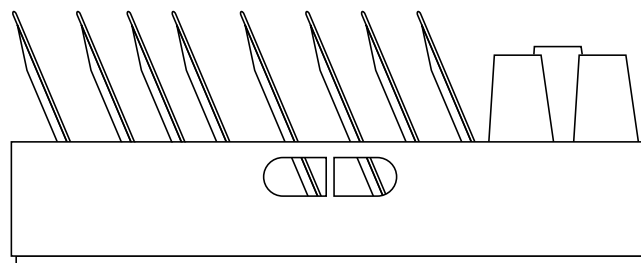
! VERY IMPORTANT !
DO NOT OVERLOAD THE DISH RACK.
LOAD ONE DISH RACK INTO THE MACHINE AT A TIME.

1. Prescrap and rinse the wares before loading to remove large food particles.
2. Load soiled wares into the dish rack. Place plates and glasses in a peg rack. Place cups and bowls in an optional flat bottom rack. Place utensils in a single layer in a flat-bottom rack. Place pots and pans in a peg rack.
Do not overload the dish rack. Wash one dish rack at a time.
3. Slide one dish rack into the wash compartment making sure that wares do not interfere with the rotating spray arms. Do not wash more than one dish rack at a time.

Prescrap and rinse wares before loading into the machine.

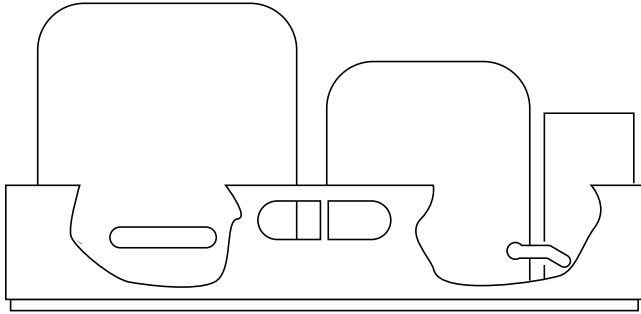


Load plates and glasses in a peg rack.

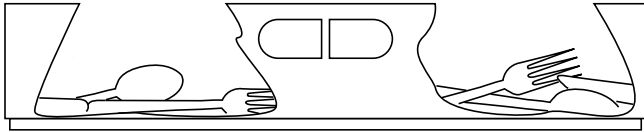


Operation

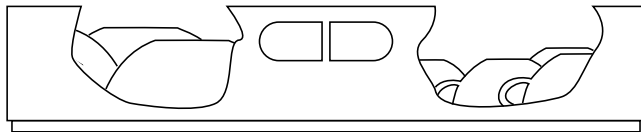
Loading Dish Racks



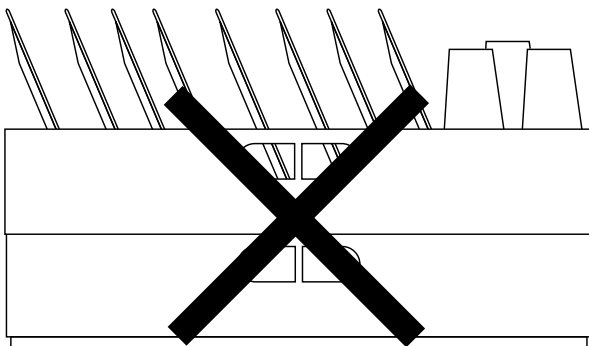
Load pots and pans in an
peg rack or optional flat-bottom rack.



Load utensils in a single layer in a peg
rack or an optional flat-bottom rack.



Load cups and bowls in a peg
rack or an optional flat-bottom rack.



NEVER stack dish racks.
Wash one dish rack at a time.

OPERATIONAL DISPLAY

The screen displays the operational status of the machine throughout the cycle.

- **Start-up Sequence**



1. When power switch is turned ON, system information screen will show briefly.
2. This shows firmware version, parameter settings, and cycle counts.



1. Machine is filling.
2. Wait light is illuminated.
3. Progress bar shows fill time remaining.



1. Red thermometer indicator shows booster tank is heating.
2. Wait light remains illuminated.
3. Wait light indicates cycle is pending
4. Progress bar shows remaining heat time.



1. Booster heater has achieved temperature
2. Blue thermometer bar shows the wash tank heat is active.
3. Wait light is out and READY shows a cycle may begin.



1. Ready indicates the machine will wash.
2. 155°F indicates the wash tank temp.

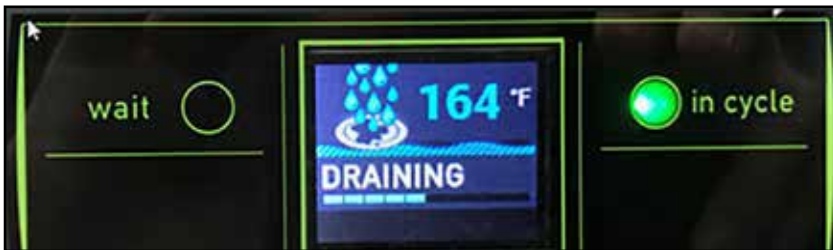
Operational Display (continued)

WASH CYCLE



WASH

1. The status indicator shows cycle progress.
2. In-cycle light is illuminated.



DRAIN

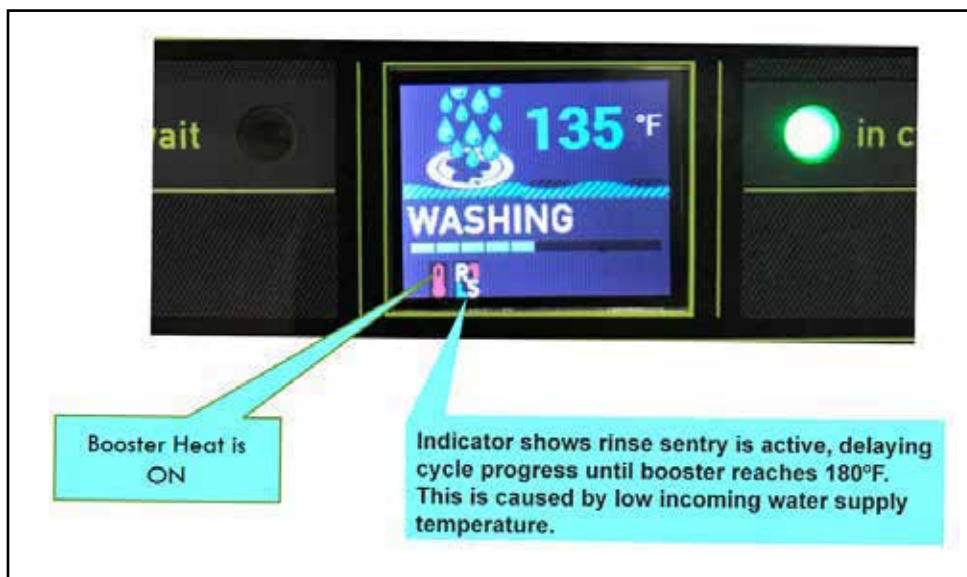
1. When the wash cycle is complete the machine will drain all of the water and refill with fresh hot water.



RINSE

1. Display changes to red and indicates rinse temp.

RINSE SENTRY



AUTOCLEAN DRAIN



1. When machine is turned off, the AutoClean screen with the status indicator is shown.



2. This takes approximately 2-1/2 minutes.

3. When complete, open door to allow machine interior to air dry.

Cleaning the Wash Tank

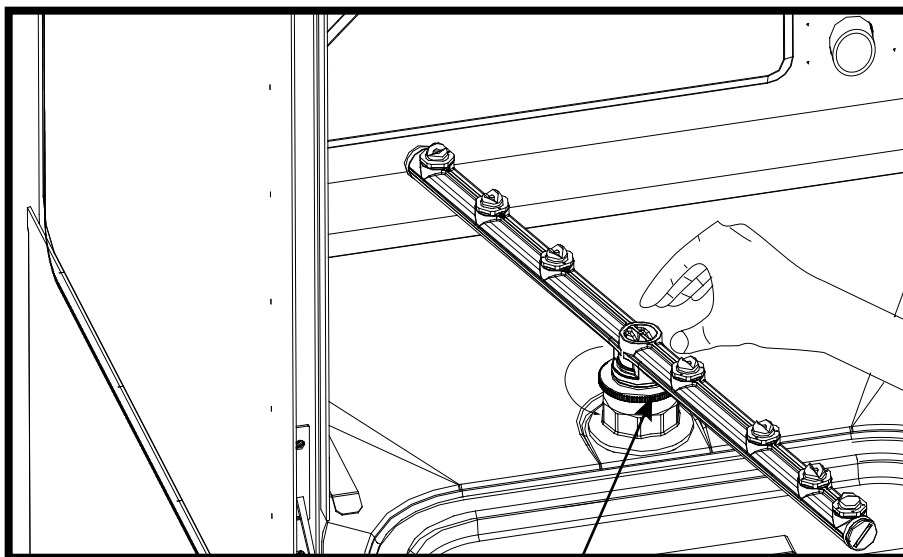
! VERY IMPORTANT !
DRAIN AND CLEAN THE DISHWASHER EVERY 2 HOURS OF CONTINUOUS OPERATION, AFTER EACH MEAL PERIOD AND AT THE END OF THE DAY.

1. Remove the upper and lower spray arms and flush clean with water.
2. Remove the scrap screen making sure food soils do not fall into tank.
3. Flush and back flush with clean water.
4. Check the sump.
5. Check the pump intake strainer.
6. Do not scrub the interior with metal pad.
7. Check the heating element for lime buildup and remove. Do not use a metal pad.
8. Wipe the exterior of the machine with a soft cloth and mild detergent.
9. Leave the door open to aid in overnight drying.

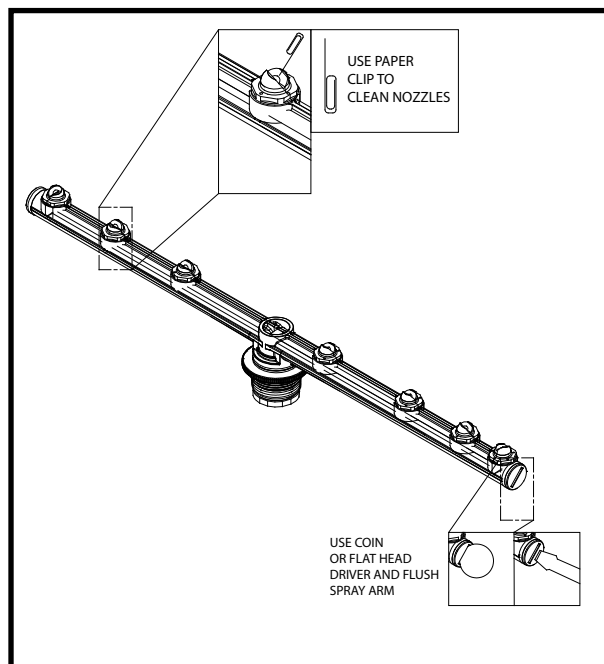
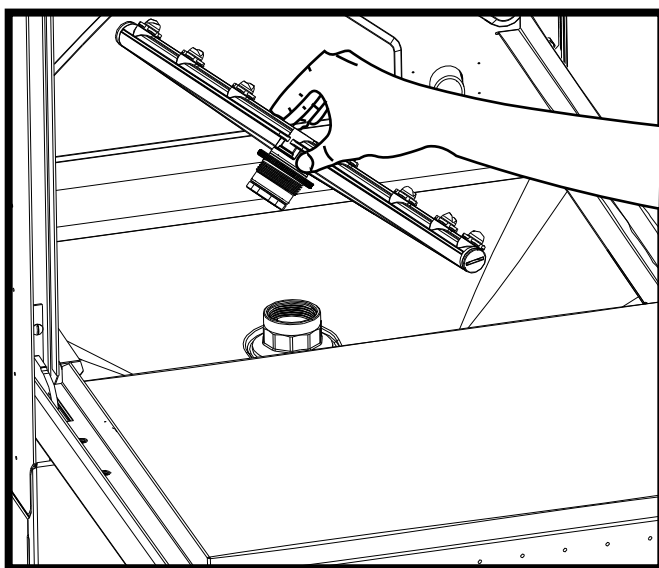
DO NOT USE METALLIC SCRUB PADS TO CLEAN THE MACHINE.
DO NOT SPRAY THE EXTERIOR OF THE MACHINE WITH WATER.

Cleaning the wash arms:

1. Unscrew the retaining screw from the upper and lower interchangeable spray arms
2. Flush the spray arms clean in a sink. Be sure to flush the wash arm bearings.



USE GROVES TO LOSEN
HUB FOR CLEANING.

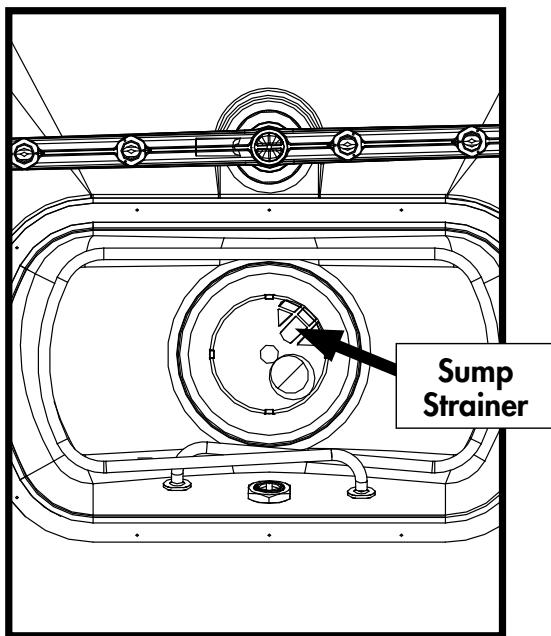
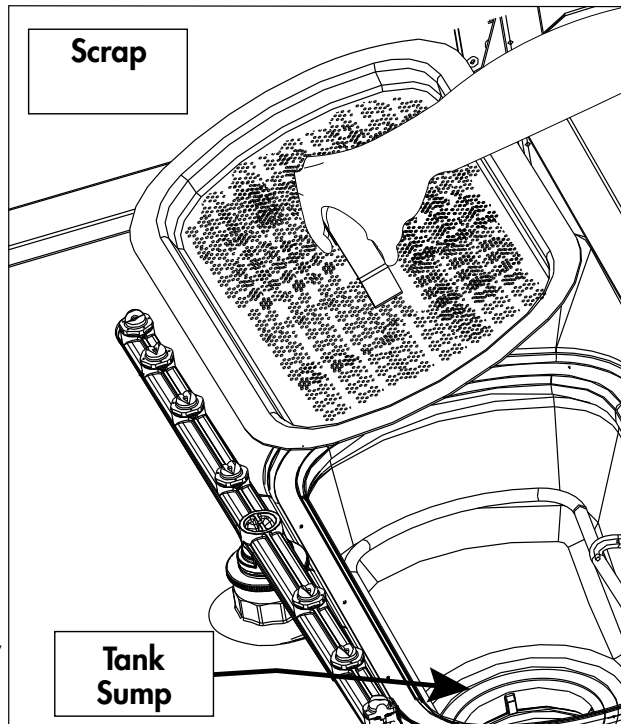


USE PAPER
CLIP TO
CLEAN NOZZLES

USE COIN
OR FLAT HEAD
DRIVER AND FLUSH
SPRAY ARM

Cleaning the Scrap Screen and Sump Strainer

1. Lift the scrap screen straight up and out of the machine to prevent food particles from falling into the tank sump.
2. Flush the scrap screen in a remote sink making sure to back-flush both side of the screen.
3. Wipe the tank sump of water and debris.
4. Carefully inspect the pump intake strainer. This strainer is not removeable but must be thoroughly cleaned before reinstalling the scrap screen.



! ATTENTION !
A CLOGGED OR RESTRICTED SUMP STRAINER WILL PREVENT THE PROPER WASHING RINSING AND DRAINING OF THE MACHINE.

! ATTENTION !
WIPE THE EXTERIOR OF THE MACHINE WITH A SOFT CLOTH AND MILD DETERGENT. DO NOT SPRAY THE EXTERIOR WITH WATER OR BLEACH.
LEAVE THE DOOR OPEN TO AID IN OVERNIGHT DRYING.

DELIMING



WARNING:

Death or serious injury may result when deliming solution is mixed with sodium hypochlorite (chlorine bleach) sanitizing agent. Mixing may cause hazardous gases to form. Deliming solution and other acids must never be mixed with chlorine, iodine, bromine, or fluorine.

Deliming solutions can cause severe irritation and possible chemical burns. Always wear protective clothing and goggles when handling chemicals.

Follow the steps below to delime the dishwasher.

1. Open the dishwasher door and remove the dish rack.
2. Remove the detergent and rinse-aid chemical supply tubing from their chemical supply containers.
3. Place the pick-up tubes in a container of hot water.
4. Push the dishwasher power switch to the ON position. The dishwasher will fill with water.
5. Press and hold the detergent prime switch UP to flush the detergent from the supply tubing. Release the switch.
6. Turn the dishwasher power switch to OFF/DRAIN to drain the wash tank. The WASH indicator light will go out in about 2 minutes.
7. **Always wear eye protection, rubber gloves and protective clothing when handling chemicals.**
8. Open the door and carefully add the deliming chemical to the wash tank in accordance with your chemical supplier's instructions. Be careful to avoid splashing.
9. Close the door.
10. Press the power switch to the ON position. The machine will fill with water.
11. Press and hold the Start button for one second to initiate an automatic cycle.
12. When the cycle has ended, open the door and check the deliming results. Clean the rinse arm jets with a paper clip to ensure they are clear.
Repeat steps 6-11 if necessary. Push the power switch to OFF/Drain to drain the machine.
13. Push the power switch ON to refill the machine. Place an empty dish rack in the machine.
14. Run 4 empty cycles to ensure all deliming chemicals are flushed from the machine.
15. Return chemical supply tubing to their containers and prime the chemical lines.
16. Deliming is complete.

MAINTENANCE SCHEDULES

Daily Maintenance

1. Check all of the wash arm and rinse arm spray jets and clean as necessary.
2. Check scrap screen, and sump strainer and clean as necessary.
3. Make sure the water supply is on and the drain is not clogged.
4. Check the temperature display and ensure it is operating.
5. Make sure the dish racks are in good condition.
6. Check the chemical containers and refill as required.
7. Follow the cleaning procedures.

Weekly Maintenance

1. Perform Steps 1-6 in the Daily Maintenance.
2. Inspect water lines for leaks.
3. Check for water leaks underneath the dishwasher.
4. Make sure the floor drain and/or drain lines are unobstructed.
5. Make sure the dishwasher is level.
6. Clean accumulated lime deposits from the wash tank heating element.
7. Inspect the scrap screen and replace if damaged.
8. Check the spray arms and replace or repair if damaged.
9. Inspect machine interior for lime build-up (white haze) and delime if necessary. Consult the chemical supplier for deliming chemicals.

Semi-Annual Maintenance

1. Inspect the chemical dispensing pump tubing for cuts, kinks or bends and replace if necessary.
2. Flush chemical tubing with hot water:
Place an empty dish rack inside the dishwasher. Remove the pick-up tubes from the chemical containers. Place the tubes in a container of hot water and run the dishwasher for twenty cycles to thoroughly flush the lines. Check the lines to ensure they are unobstructed.
3. Disassemble the detergent pump and replace the squeeze tube. Reassemble.
4. Return the pick-up tubes into full chemical containers and return the machine to service.
5. Detergent squeeze tubes should be inspected or replaced every six months.

Yearly Maintenance

Contact your authorized service agent for a preventive maintenance inspection.

Lubrication

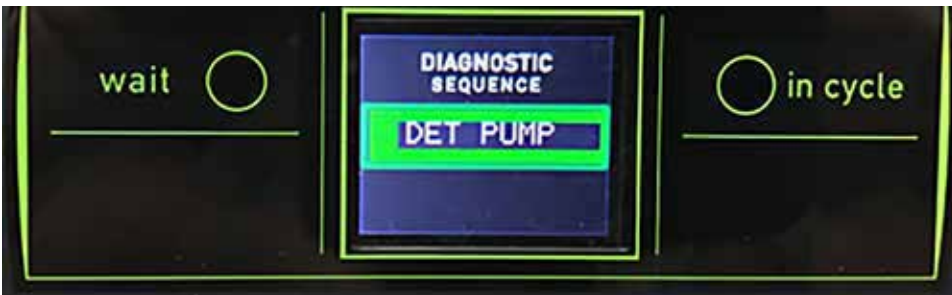
There are no lubrication points for this dishwasher.

**This Page
Intentionally
Left Blank**

DIAGNOSTIC FEATURES

To access diagnostic features:

1. Turn power switch to "OFF".
2. Push start button 3 times.
3. Machine will now step through and operate the components as shown below.



(continued on next page)



Diagnostic Features (continued)

SENSOR FAULT

1. Sensor Fault Icon indicates machine requires servicing (wash, rinse, or booster sensor).
2. Machine will still operate at reduced capacity.
3. Caution Icon will continue to show during cycles.

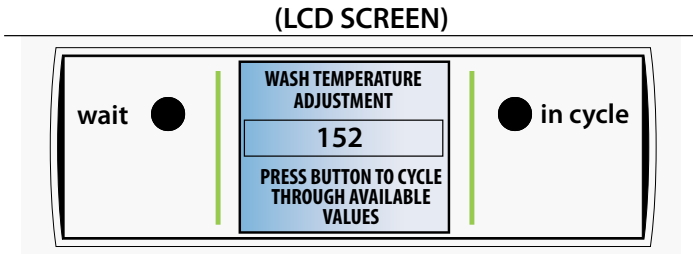


Notice the "CAUTION" icon

PARAMETER SETTINGS INSTRUCTIONS

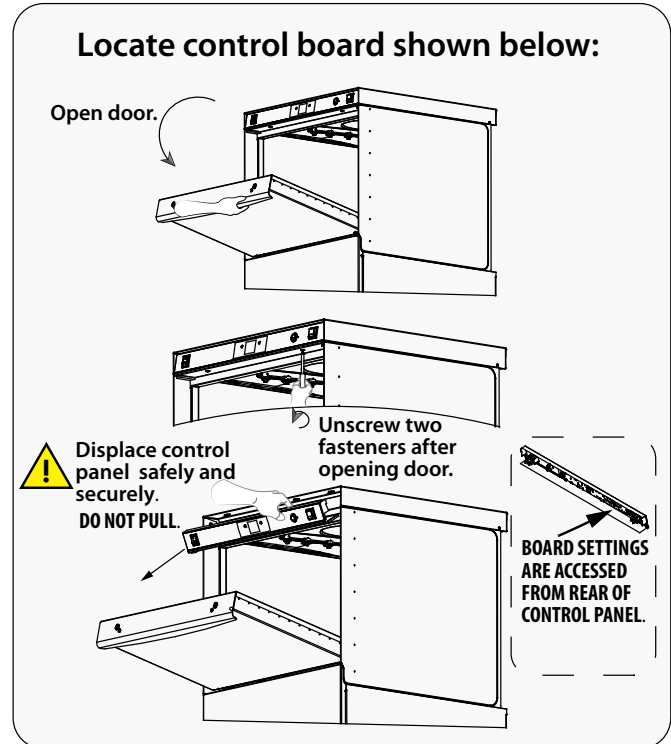
0514058 REV A -30-MAR-2021

CAUTION: Parameter changes must be made by qualified personnel only.



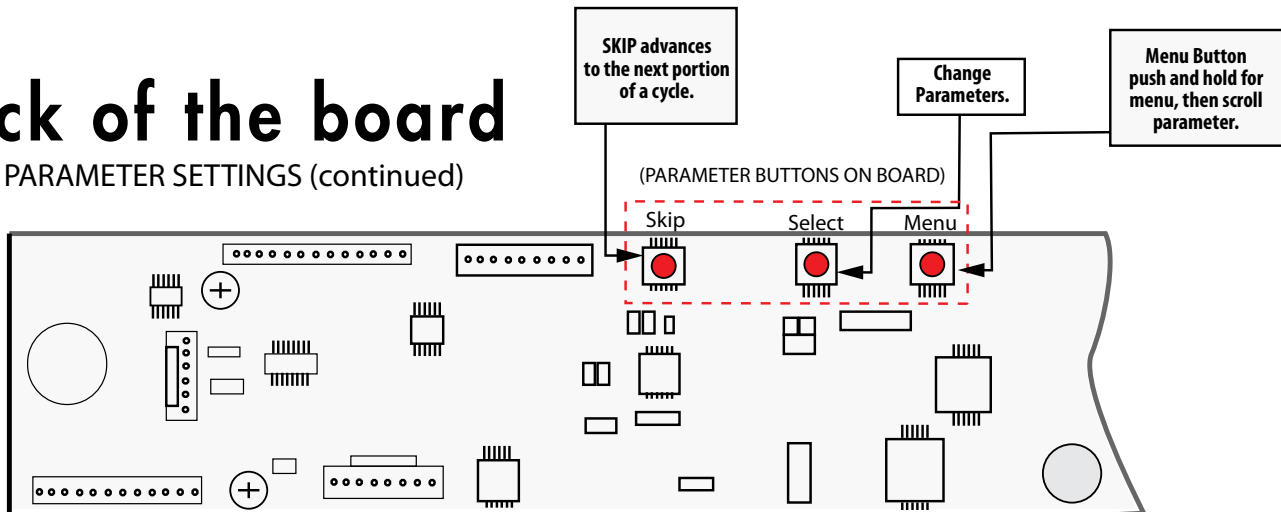
The following parameters may be changed depending on model:

1. DETERGENT CONCENTRATION
2. RINSE TEMP
3. WASH TEMP
4. FILL TIME
5. UNITS (F-C)
6. LANGUAGE (English - French)
7. RINSE AID CONCENTRATION



Back of the board

PARAMETER SETTINGS (continued)



To Change Parameters:

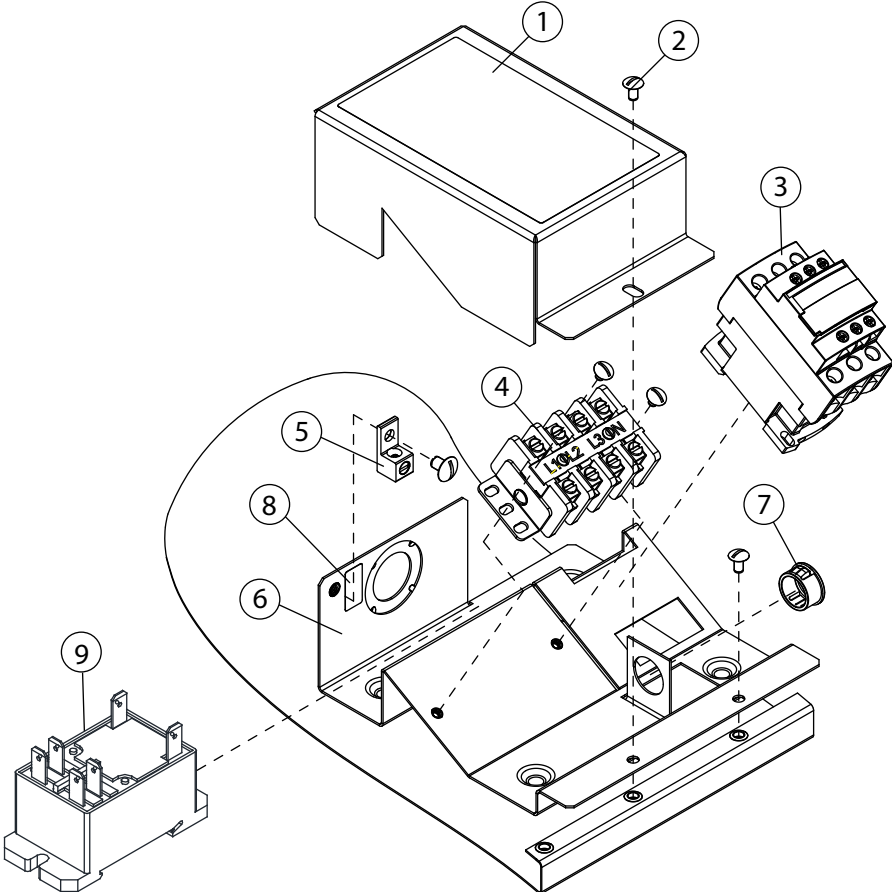
1. Push and Hold the "Menu" button.
2. DET settings screen will appear first.
3. Push menu button to scroll through until desired parameter is reached.
4. Push "CHANGE" button until desired setting is reached.
5. Release and control will return to normal operation (approximately 3 seconds).

**This Page
Intentionally
Left Blank**

Service Replacement Parts

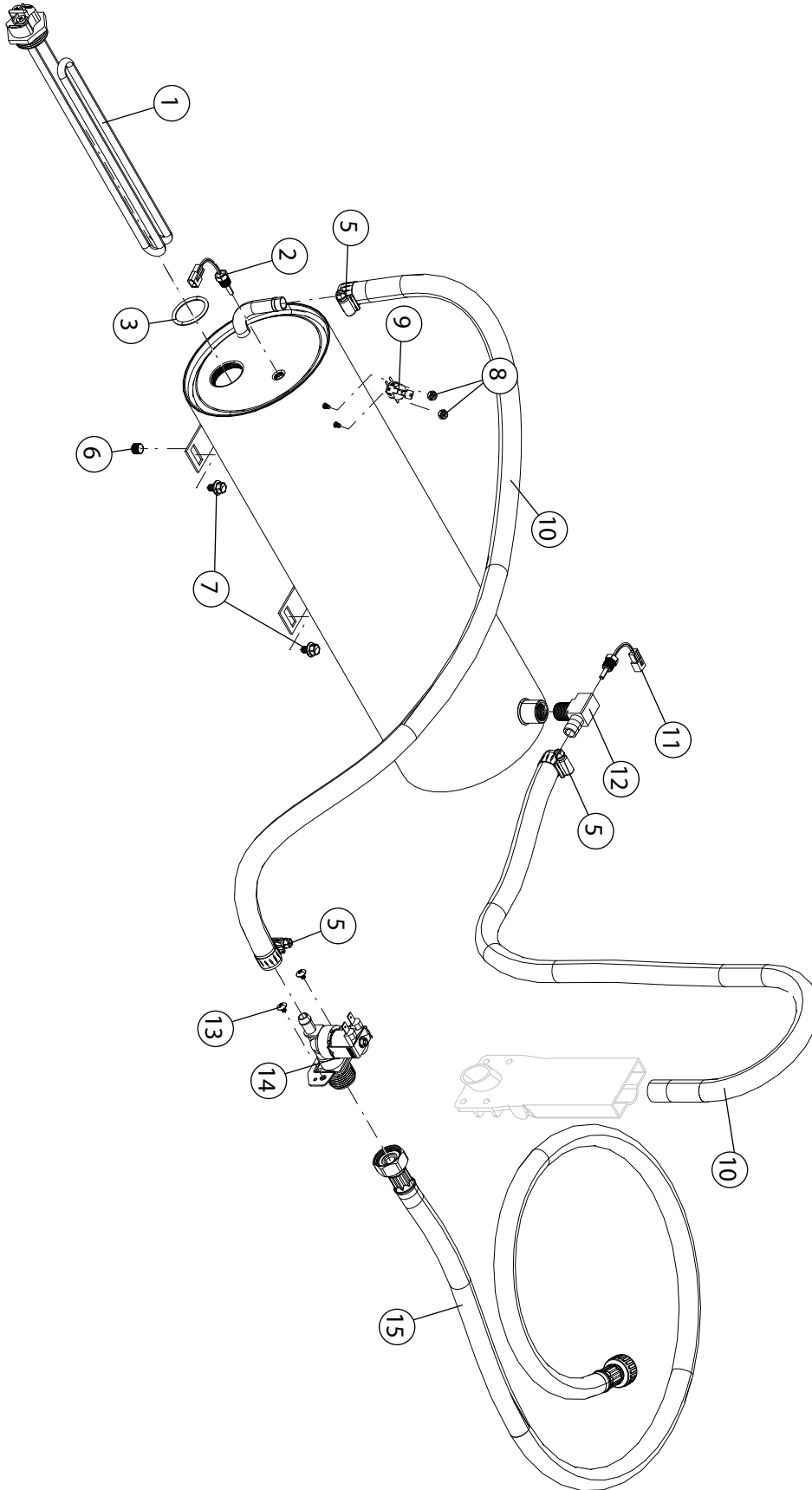
| Illustrations | Page |
|-----------------------|-------------|
| Terminal Block | 32 |
| Booster | 34 |
| Chemical Pumps..... | 36 |
| Control Panel..... | 38 |
| Nozzles | 40 |
| Wash Arms | 42 |
| Panels and Door | 44 |
| Rear Plumbing..... | 46 |
| Sump | 48 |
| Dish Racks | 50 |
| Pump and Motor | 52 |

Terminal Block



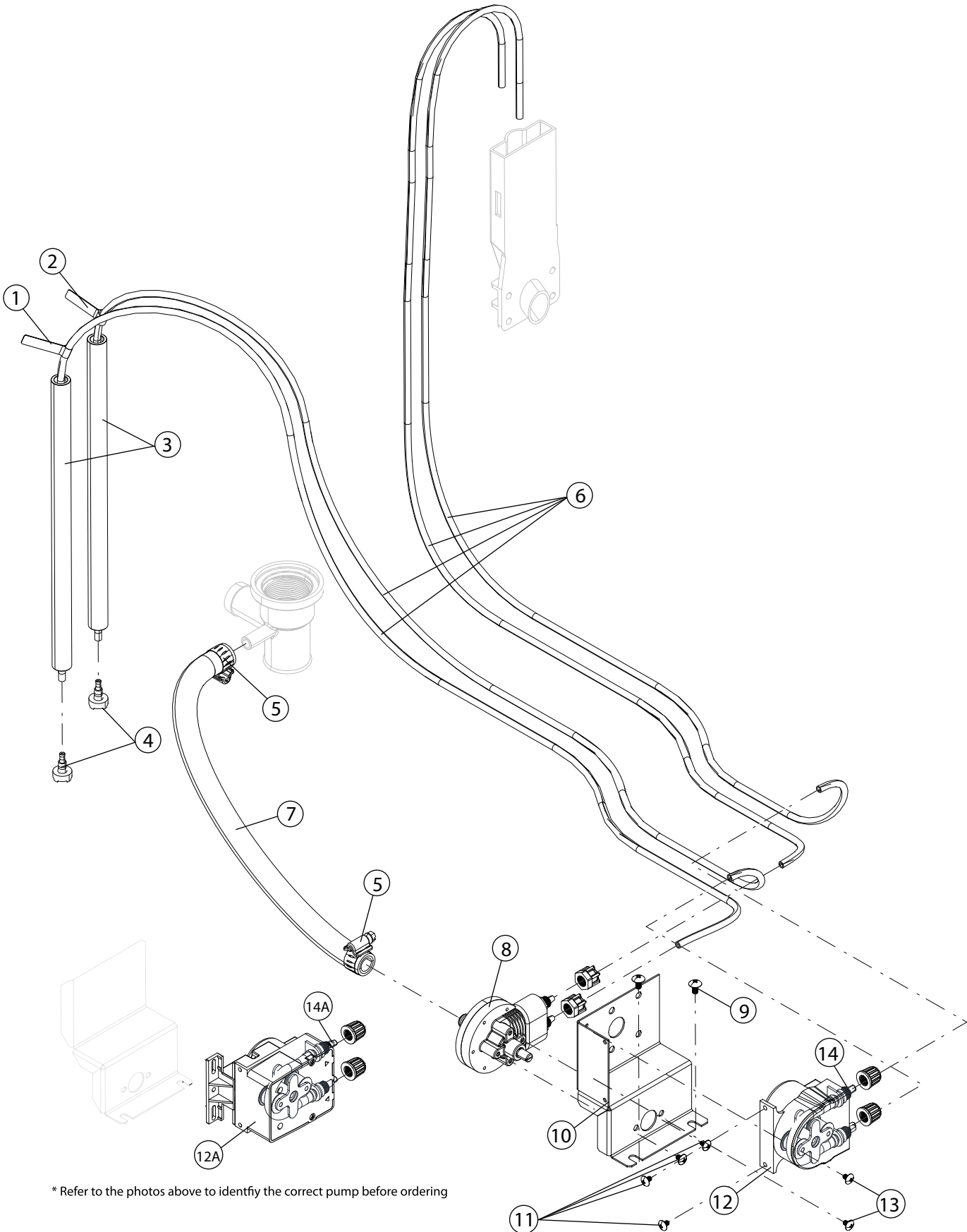
| Item No. | Part No. | Description | Qty. |
|----------|----------|---------------------------------|------|
| 1 | 0313396 | COVER, BOX WIRING | 1 |
| 2 | 0501411 | SCREW, 10-32 X 1/4", TRUSS HD. | 2 |
| 3 | C120444 | CONTACTOR, 3-POLE 220VAC COIL | 1 |
| 4 | 0509527 | BLOCK, TERMINAL, 4-POLE | 1 |
| 5 | 103310 | LUG, GROUND | 1 |
| 6 | 0313395 | BOX, WIRING | 1 |
| 7 | 107964 | BUSHING, STRAIN RELIEF, SMALL | 1 |
| 8 | 0503592 | LABEL, GROUND | 1 |
| 9 | 0514162 | RELAY,DPST 30A 240VAC 240V COIL | 1 |

Booster



| Item No. | Part No. | Description | Qty. |
|----------|----------|-------------------------------------|------|
| 1 | 0513988 | HEATER, 5KW /220V | 1 |
| 2 | 0513310 | THERMISTOR, PROBE ASSY. | 1 |
| 3 | 0512928 | GASKET | 1 |
| 4 | 0713850 | BOOSTER, WELDED ASSY. | 1 |
| 5 | 0512985 | CLAMP, SS GEAR-MIN. 1/2" | 1 |
| 6 | 0508817 | PLUG 1/8 HEX COUNTERSUNK SS | 1 |
| 7 | 0512185 | BOLT, HEX FLANGE, 1/4-20 X 3/8" SST | 2 |
| 8 | 108954 | NUT, GRIP 6-32 W/NYLON INSERT SST | 2 |
| 9 | 110562 | THERMOSTAT, HIGH LIMIT 240°F | 1 |
| 10 | 107417 | HOSE, RUBBER 1/2" ID X .84" OD | A/R |
| 11 | 0513310 | THERMISTOR 10 kΩ, 2-WIRE | 2 |
| 12 | 0513314 | TEE, RINSE | 1 |
| 13 | 0514200 | SCREW M4 X 12MM SS EXTRA WIDE PHIL. | 2 |
| 14 | 0513972 | VALVE WATER INLET 220V NX SERIES | 1 |
| 15 | 0514047 | HOSE | 1 |

Chemical Pumps

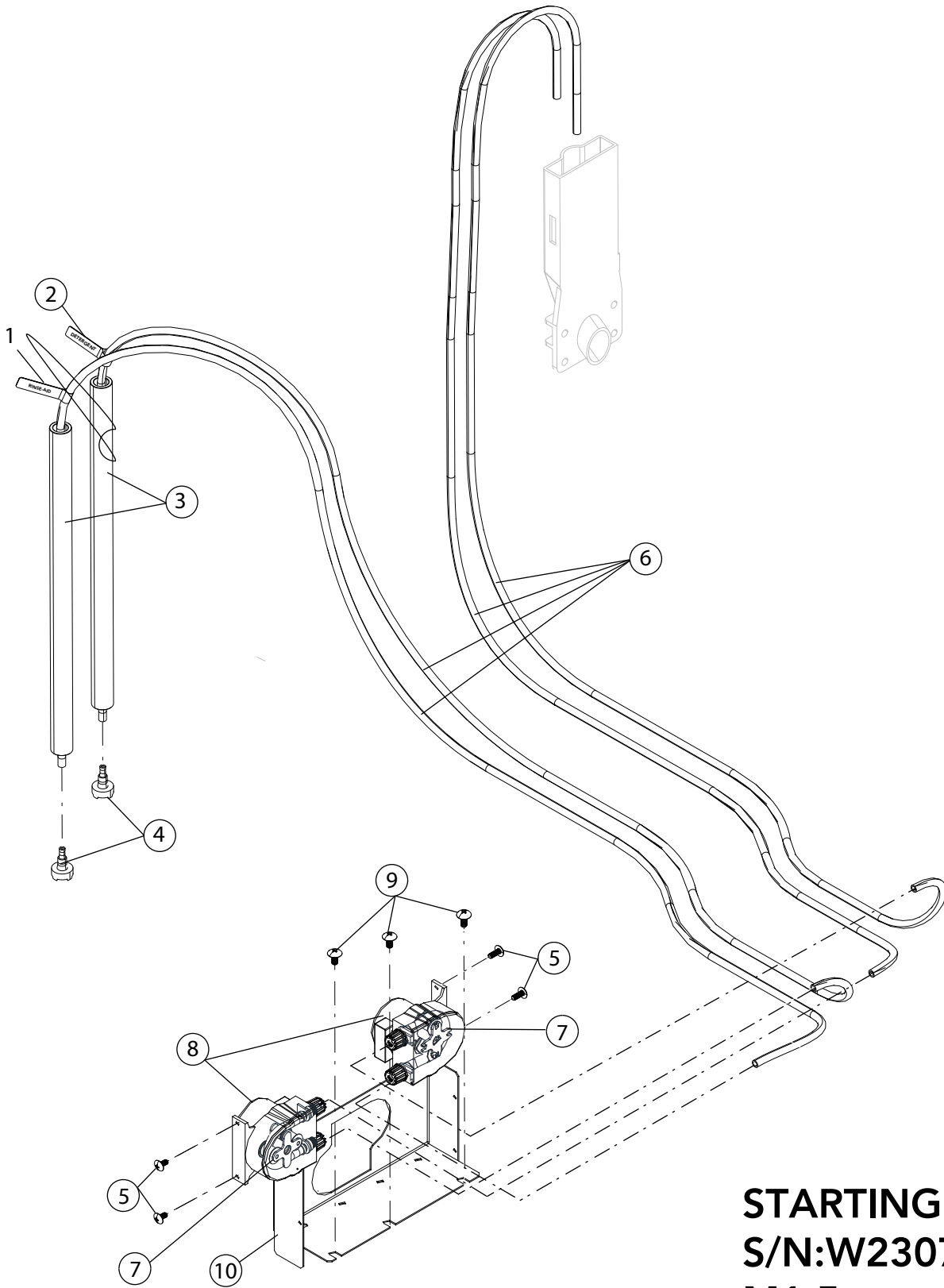


* Refer to the photos above to identify the correct pump before ordering

| Item No. | Part No. | Description | Qty. |
|----------|-----------|---|------|
| 1 | 0505483 | LABEL, RINSE-AID HOSE | 1 |
| 2 | 0503695 | LABEL, DETERGENT HOSE | 1 |
| 3 | 0306363 | TUBE, 3/8" ID X 12" LG. STIFFENER | A/R |
| 4 | 0501869 | STRAINER | 2 |
| 5 | 0512985 | CLAMP, SS GEAR-MIN. 1/2" | 2 |
| 6 | 0512475-1 | HOSE 4MM ID 6MM OD PVC | A/R |
| 7 | 107417 | HOSE, RUBBER 1/2" ID X .84" OD | A/R |
| 8 | 0513986 | RINSE AID PUMP | 1 |
| 9 | 100007 | SCREW 10-32 X 3/8" TRUSS HD | 2 |
| 10 | 0313977 | BRACKET | 1 |
| 11 | 0501563 | SCREW #8 3/8" SS PHILLIP TRUSS HD | 4 |
| 12 | 0513936 | NEXUS DETERGENT PUMP (AFTER S/N W2307114540) | 1 |
| 12A* | 0713937 | KIT,NEXUS DETERGENT PUMP REPLACEMENT (PRIOR TO S/N W2307114540) | 1 |
| 13 | 0501563 | SCREW #8 3/8" SS PHILLIP TRUSS HD2 | 2 |
| 14 | 0514073 | TUBE, PERISTALTIC SQUEEZE (FROM W2307114540) | 1 |
| 14A* | H35137 | SQUEEZE TUBE, DETERGENT PUMP (FROM W200194397 TO W2307114540) | 1 |

* Refer to the photos above to identify the correct pump before ordering

Chemical Pumps

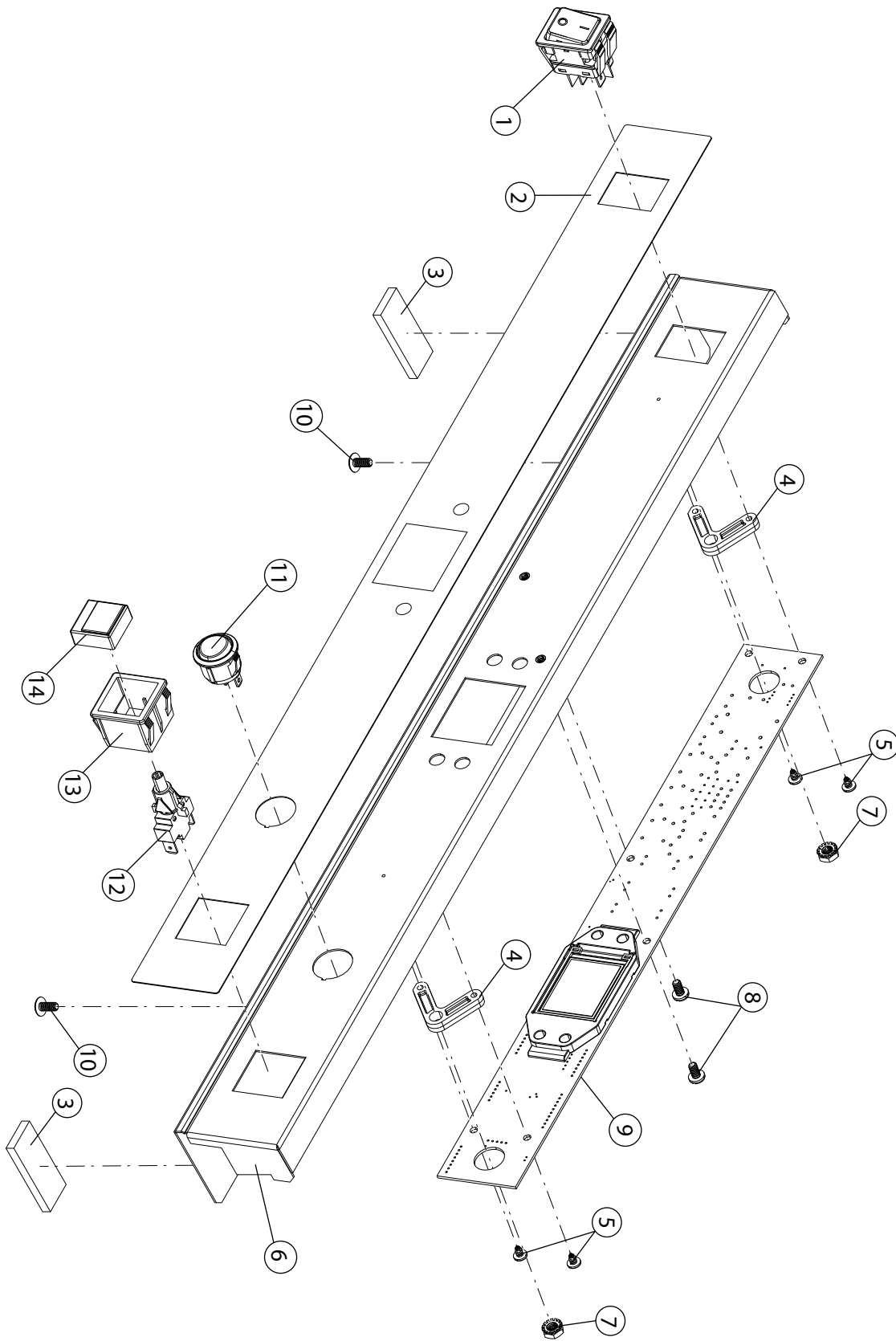


**STARTING AFTER:
S/N:W2307114540
M1.5**

* Refer to the photos above to identify the correct pump before ordering

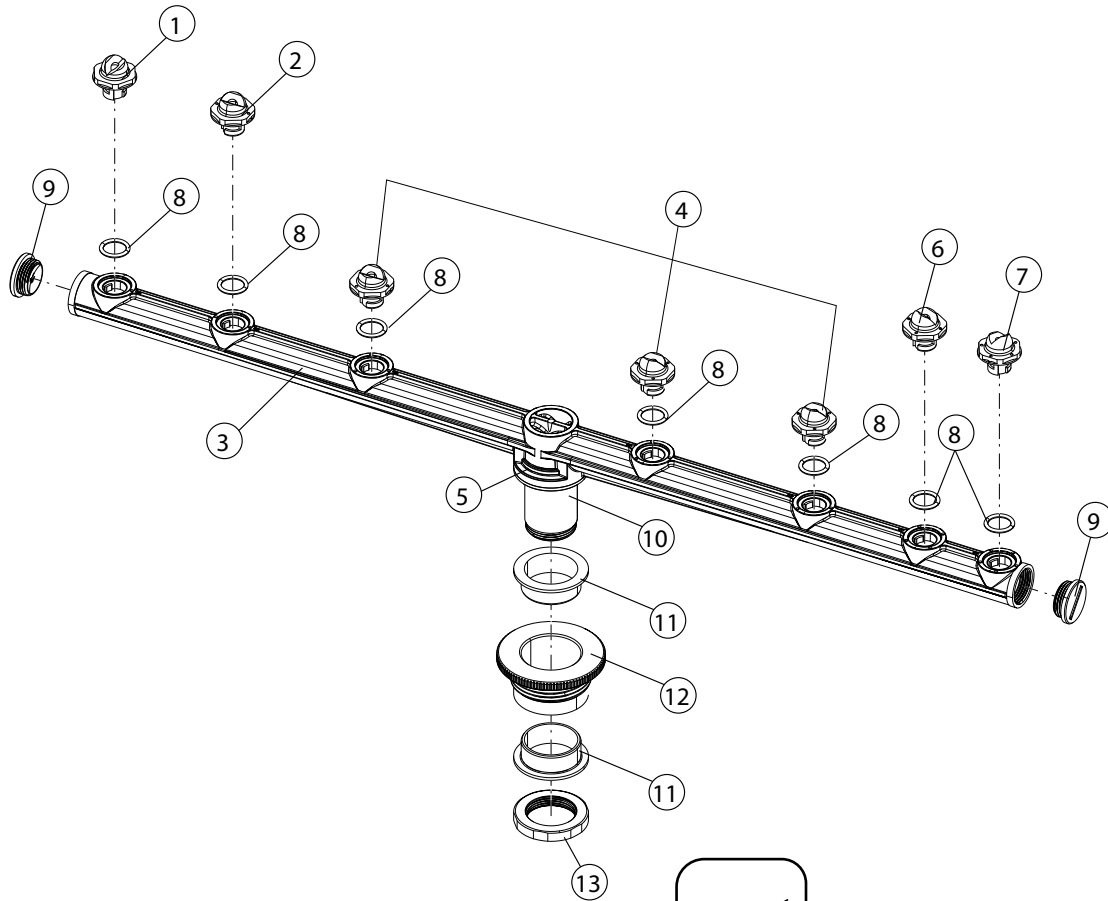
| Item No. | Part No. | Description | Qty. |
|----------|-----------|---|------|
| 1 | 0505483 | LABEL, RINSE-AID HOSE | 1 |
| 2 | 0503695 | LABEL, DETERGENT HOSE | 1 |
| 3 | 0306363 | TUBE, 3/8" ID X 12" LG. STIFFENER | A/R |
| 4 | 0501869 | STRAINER | 2 |
| 5 | 0501563 | SCREW #8 3/8" SS PHILLIP TRUSS HD | 4 |
| 6 | 0512475-1 | HOSE 4MM ID 6MM OD PVC | A/R |
| 7 | 0514073 | SQUEEZE TUBE (AFTER S/N W2307114540) | A/R |
| 8 | 0513936 | PUMP, DETERGENT PERISTALTIC BLK 220VAC | 2 |
| 9 | 100007 | SCREW 10-32 X 3/8" TRUSS HD | 3 |
| 10 | 0314124 | BRACKET, CHEMICAL PUMP NEXUS HT M1.5 | 1 |
| 11 | 0501563 | SCREW #8 3/8" SS PHILLIP TRUSS HD | 4 |
| 12 | 0514073 | SQUEEZE TUBE (AFTER S/N W2307114540) | 2 |

Control Panel

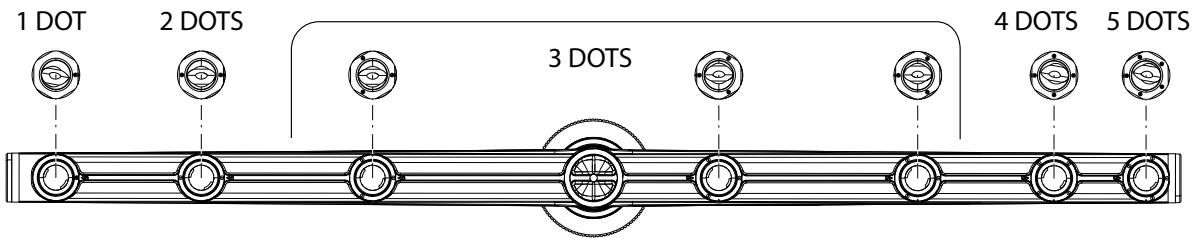
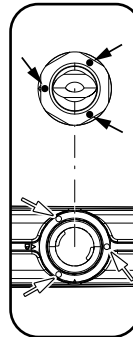


| Item No. | Part No. | Description | Qty. |
|----------|----------|---|------|
| 1 | 0512221 | SWITCH, ROCKER DPST 250V NEON | 1 |
| 2 | 0513960 | LABEL, FACIA COBALT HT | 2 |
| 3 | 0512320 | GASKET, STEAM | 2 |
| 4 | 0512357 | STANDOFF, LED DISPLAY BOARD | 2 |
| 5 | 0512978 | SCREW 6-18 X 1/4 PAN HEAD PHILLIPS SS | 4 |
| 6 | 0313957 | PANEL, FACIA NEXUS, HT | 1 |
| 7 | 0503580 | NUT, 10-32 | 2 |
| 8 | 0501563 | SCREW, #8 X 3/8" | 2 |
| 9 | 0713985 | KIT, CONTROL BOARD | 1 |
| 10 | 104624 | SCREW 8-32 X 3/8 TRUSS HD | 1 |
| 11 | 0512226 | SWITCH, ROCKER RND SPDT MOMENTARY | 1 |
| 12 | 0512216 | CONTACT, SWITCH MOMENTARY (N.O.) | 1 |
| 13 | 0512217 | HOUSING, PUSH BUTTON SWITCH | 1 |
| 14 | 0512218 | PUSH BUTTON, GREEN | 1 |
| --- | 0513836 | HARNESS, SWITCH - NOT SHOWN | 1 |
| --- | 0513974 | HARNESS, SENSOR - NOT SHOWN | 1 |
| --- | 0513973 | HARNESS, MAIN -NOT SHOWN | 1 |
| --- | 0514121 | HARNESS NEXUS WIRING M1.5,MAIN NOT SHOWN (AFTER S/N W2307114545) | 1 |

Nozzles



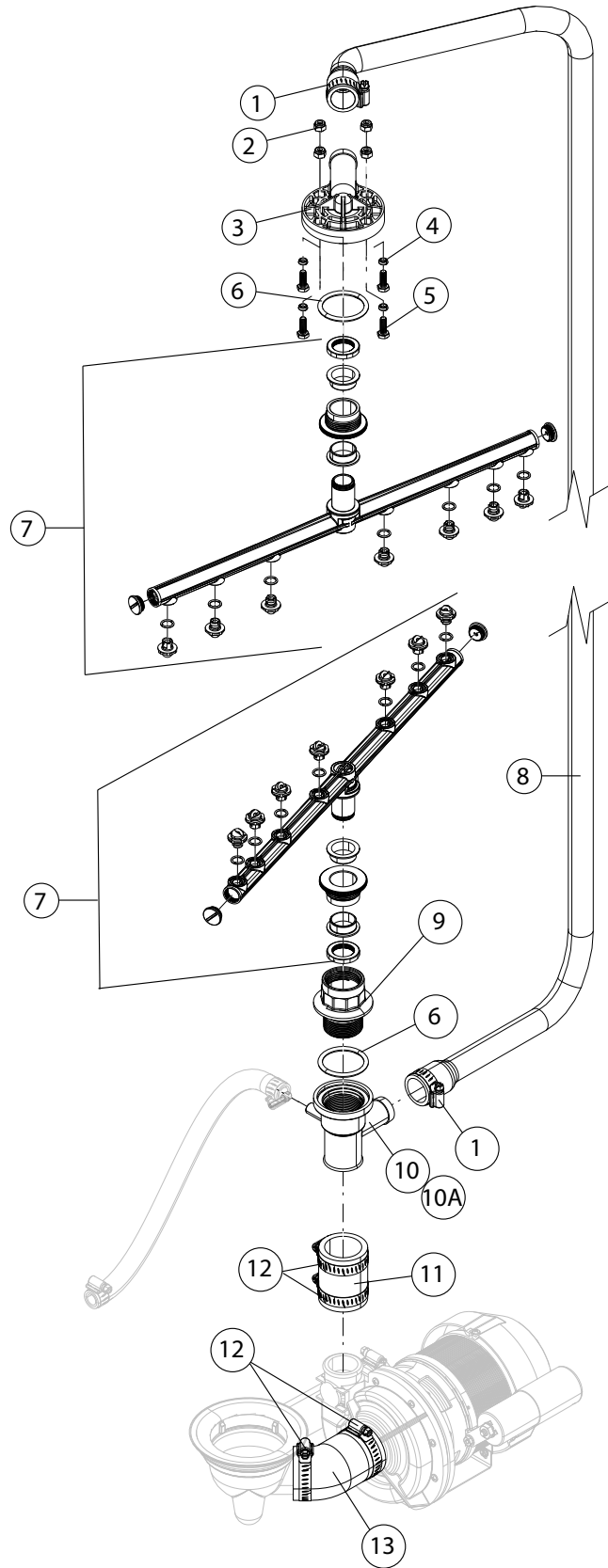
The number of dots on the nozzles correspond to the port in which it is assembled. The ports are keyed for the matching nozzle. Do not force a nozzle into the incorrect port.



| Item No. | Part No. | Description | Qty. |
|----------|----------|--|------|
| 1* | 0513992 | NOZZLE 1, WASH ARM | 1 |
| 2* | 0513993 | NOZZLE 2, WASH ARM | 1 |
| 3 | 0513990 | WASH ARM | 1 |
| 4* | 0513994 | NOZZLE 3, WASH ARM | 3 |
| 5 | 0513997 | WASHER, BEARING WASH ARM | 1 |
| 6* | 0513995 | NOZZLE 4, WASH ARM | 1 |
| 7* | 0513996 | NOZZLE 5, WASH ARM | 1 |
| 8* | 0514000 | O-RING, NOZZLE WASH ARM | 7 |
| 9 | 0513991 | ENDCAP, WASH ARM | 2 |
| 10 | 0513998 | SHAFT, WASH ARM | 1 |
| 11 | 0514001 | BEARING, WASH ARM | 2 |
| 12 | 0514002 | BEARING, HOUSING WASH ARM | 1 |
| 13 | 0513999 | NUT, BEARING WASH ARM | 1 |
| --- | 0714049 | KIT, NOZZLE (contains Items 1, 2, 4 and 6-9) | A/R |
| --- | 0513971 | ASSY., WASH ARM COMPLETE | A/R |

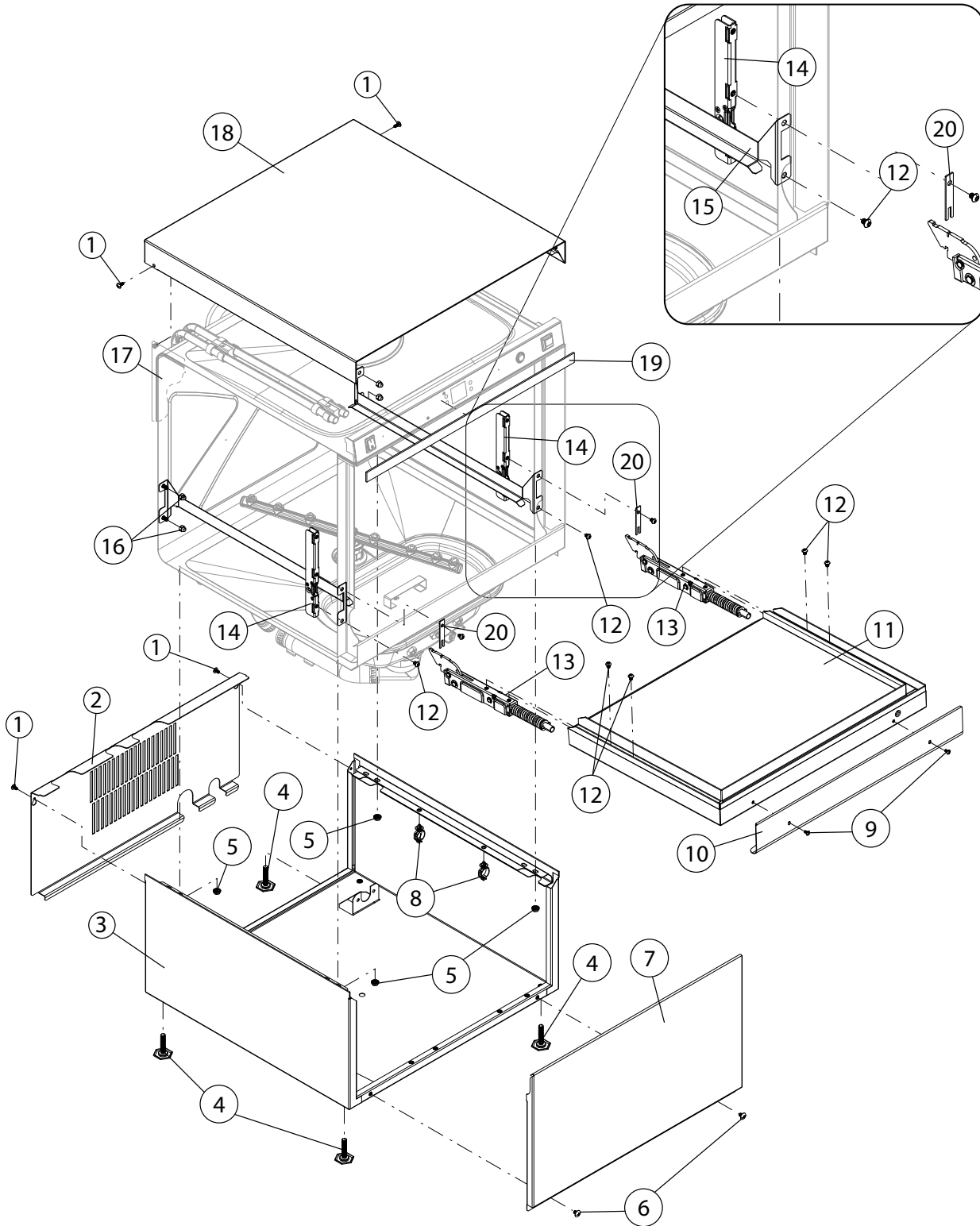
* NOTE: ITEMS 1, 2 ,4 AND 6-9 ARE NOT AVAILABLE SEPERATELY.
PLEASE ORDER 0714049

Wash Arms



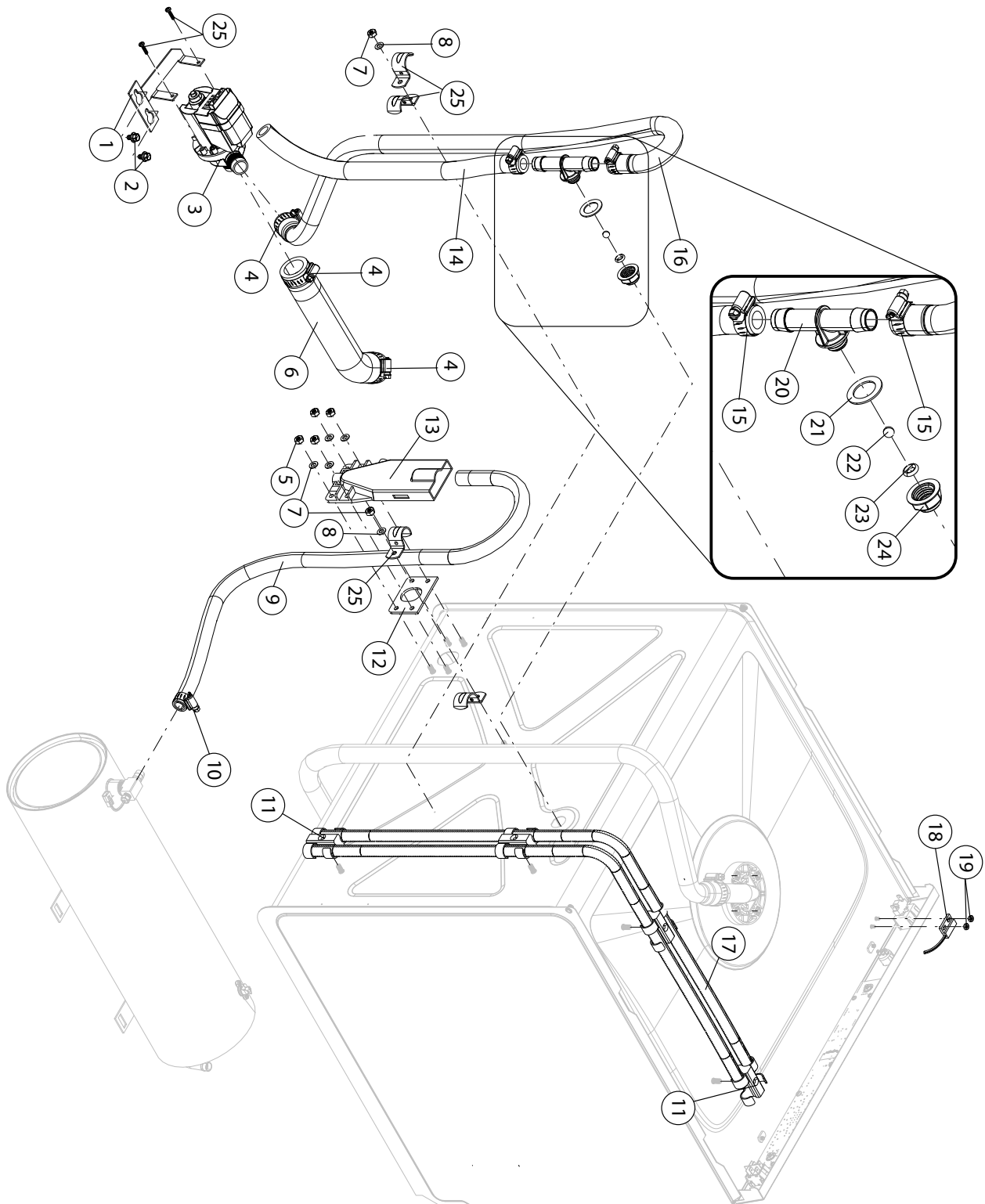
| Item No. | Part No. | Description | Qty. |
|----------|-----------|---|------|
| 1 | 0502571 | CLAMP, HOSE GEAR HOSE 1-1/2" SST | 2 |
| 2 | 107967 | NUT, HEX SST 1/4-20 NYLON INSERT | 2 |
| 3 | 0513968 | HUB UPPER WASH SYSTEM | 1 |
| 4 | 0501481 | WASHER, NYLTITE | 4 |
| 5 | 100736 | BOLT 1/4-20 X 3/4" HEX HEADO | 4 |
| 6 | 0512133 | O-RING, 2-1/8" OD X 1-3/4" ID X 3/16" | 1 |
| 7 | 0513971 | ASSEMBLY, WASH ARM | 2 |
| 8 | 0512120 | HOSE, UPPER WASH ARM | 1 |
| 9 | 0513967 | HUB, LOWER WASH ARM | 1 |
| 10 | 0513969-1 | MANIFOLD, WASH PUMP NEXUS PLUGGED M1.5 (AFTER S/N W2307114540) | 1 |
| 10A* | 0513969 | MANIFOLD, WASH PUMP NX SERIES (BEFORE S/N W2307114540) | 1 |
| 11 | 0513983 | HOSE, PUMP DISCHARGE | 1 |
| 12 | 0512322 | CLAMP, HOSE GEAR 1X 13/16" - 2 X 3/4" SS | 4 |
| 13 | 0513982 | HOSE, PUMP SUCTION | 1 |

Panels and Door



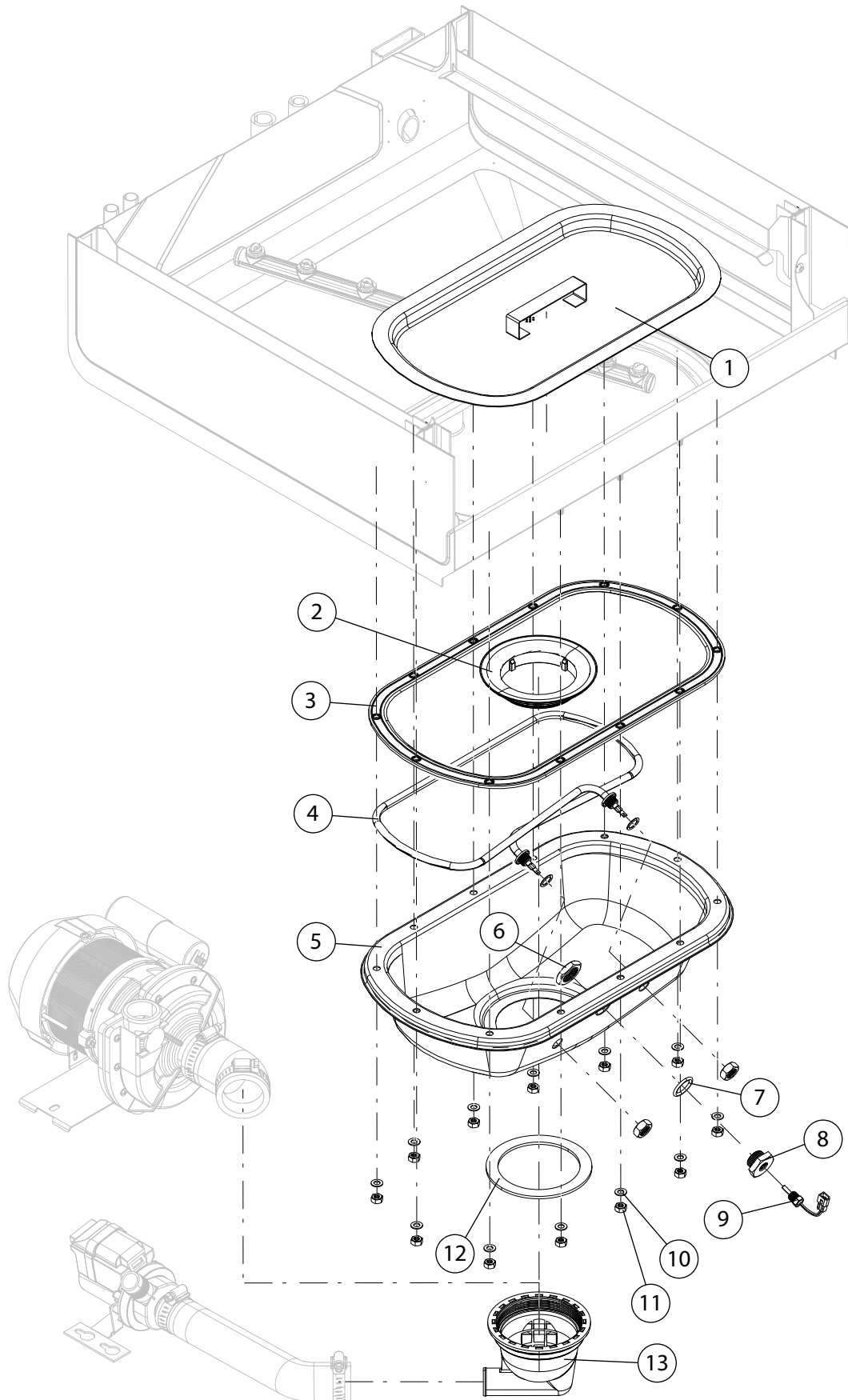
| Item No. | Part No. | Description | Qty. |
|----------|-----------|--|------|
| 1 | 100007 | SCREW, TRUSS SLOT SST 10-32 X 3/8" | A/R |
| 2 | 0313955 | PANEL, REAR (Prior to S/N 190990970) | 1 |
| 3a | 0313955-1 | PANEL, REAR (Beginning w/ S/N W190990970 and above) | 1 |
| 3 | 0713944 | WELDMENT, BASE | 1 |
| 4 | 0503718 | FOOT, ADJUSTING | 4 |
| 5 | 0514473 | NUT 1/4-20 WH SERRATED SS | 4 |
| 6 | 100779 | SCREW, 1/4-20 X 5/8" TRUSS SS PHIL | 2 |
| 7 | 0313956 | PANEL, FRONT (Prior to S/N 190990970) | 1 |
| 7a | 0313956-1 | PANEL, FRONT (Beginning w/ S/N W190990970 and above) | 1 |
| 8 | 0513647 | CLIP CORD 5/8" PUSH MOUNT | 2 |
| 9 | 104624 | SCREW, 8-32 X 3/8" TRUSS HD | 2 |
| 10 | 0313965 | HANDLE, DOOR | 1 |
| 11 | 0713950 | WELDMENT, DOOR | 1 |
| 12 | 0514011 | SCREW, ROUND HEAD HEX SS 1/4-20 X 5/16" | 4 |
| 13 | 0713966 | HINGE, DOOR | 2 |
| 14 | 0514003 | BRACKET, DOOR HINGE RECEIVER | 2 |
| 15 | 0313959 | RAIL, TRAY | 2 |
| 16 | 106014 | NUT, ACORN 1/4-20 | 4 |
| 17 | 0713946 | WELDMENT, WASH TANK | 1 |
| 18 | 0313954 | PANEL, TOP | 1 |
| 19 | 0514009 | GASKET, DOOR 23-5/8" LG. GRAY SILICON | 1 |
| 20 | 0314028 | PLATE, LOCKING HINGE | 2 |
| --- | 0714050 | ASSY, DOOR (contains 9, 10, 11,) | A/R |
| --- | 0714051 | ASSY, DOOR, C/W HINGES (contains 9, 10, 11, 12, 13) | A/R |

Rear Plumbing



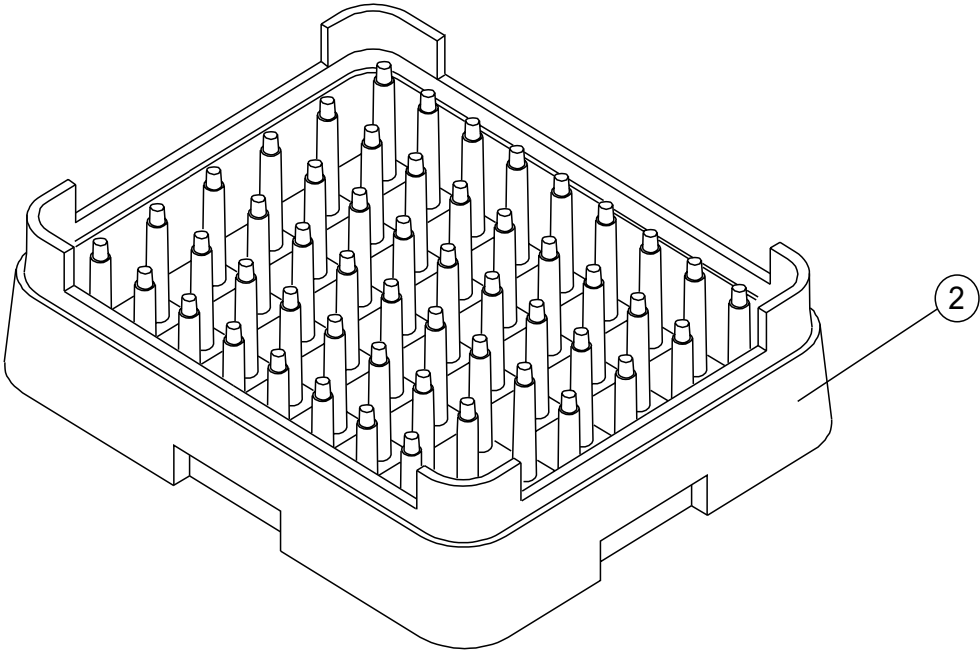
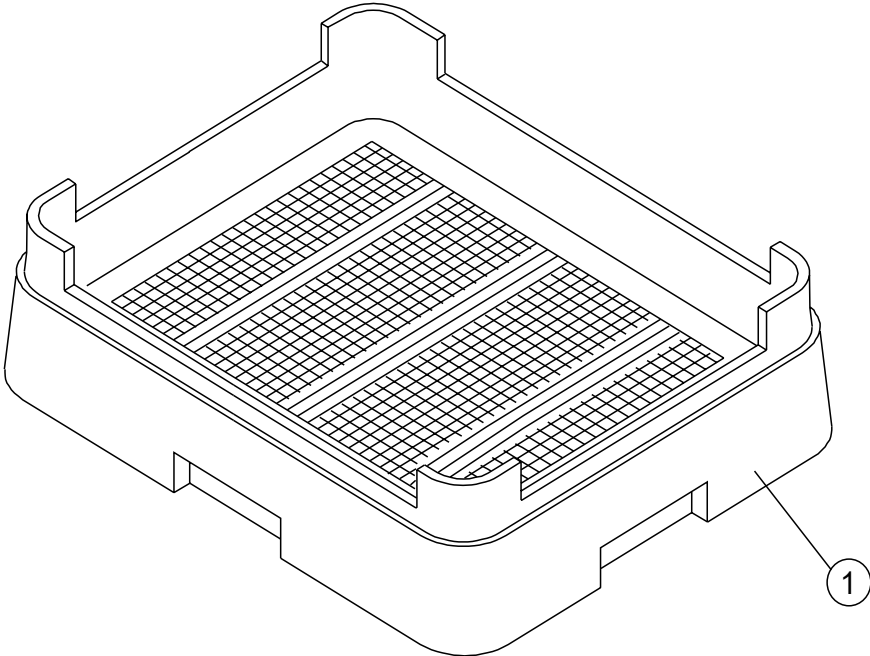
| Item No. | Part No. | Description | Qty. |
|----------|-----------|--|------|
| 1 | 0312145-2 | BRACKET, DRAIN PUMP | 1 |
| 2 | 0512185 | BOLT, HEX FLANGE 1/4-20 X 3/8" SST | 2 |
| 3 | 0514040 | PUMP, DRAIN | 1 |
| 4 | 0502571 | CLAMP, HOSE GEAR | A/R |
| 5 | 100003 | NUT, PLAIN 1/4-20 SST | 5 |
| 6 | 0513984 | HOSE, PUMP DRAIN | 1 |
| 7 | 107967 | NUT, 1/4-20 W/NYLON INSERT SST | 5 |
| 8 | 102383 | WASHER 17/64 X 1/2 X 0.32 14S | 2 |
| 9 | 107417 | HOSE, RUBBER 1/2" ID X .84" OD | A/R |
| 10 | 0512985 | CLAMP, SS GEAR-MIN. 1/2" | 1 |
| 11 | 0512761 | CLAMP, DOUBLE CONDUIT | 2 |
| 12 | 0509048 | GASKET, INLET CHUTE | 1 |
| 13 | 0508867 | CHUTE, INLET | 1 |
| 14 | 0509302 | HOSE, 5/8" ID X 1" OD PVC BRAIDED | A/R |
| 15 | 0502563 | CLAMP, HOSE GEAR SST 3/4-1 1/2" #16 | 2 |
| 16 | 0513849 | HOSE, DRAIN | 1 |
| 17 | 0512757 | CONDUIT, 1/2" | A/R |
| 18 | 113721 | SWITCH, REED ALEPH | 1 |
| 19 | 108954 | NUT, GRIP 6-32 WITH NYLON INSERT SST | 2 |
| 20 | 0513841 | VALVE, ANTISIPHON BODY | 1 |
| 21 | 0513848 | WASHER, SILICON 7/8" ID X 1-5/16" OD X 1/16" | 1 |
| 22 | 0513843 | BALL 3/8" DIAMETER SS | 1 |
| 23 | 0513847 | ORING 5/16" ID X 9/16" OD X 1/8" | 1 |
| 24 | 0513842 | NUT, ANTISIPHON VALVE | 1 |
| 25 | 0308822 | CLAMP, EMT 1/2" | 3 |
| 26 | 109835 | SCREW, #8 X 1/2" SELF-TAPPING | 2 |
| --- | 0714052 | ASSY., ANTI-SIPHON VALVE | A/R |

Sump



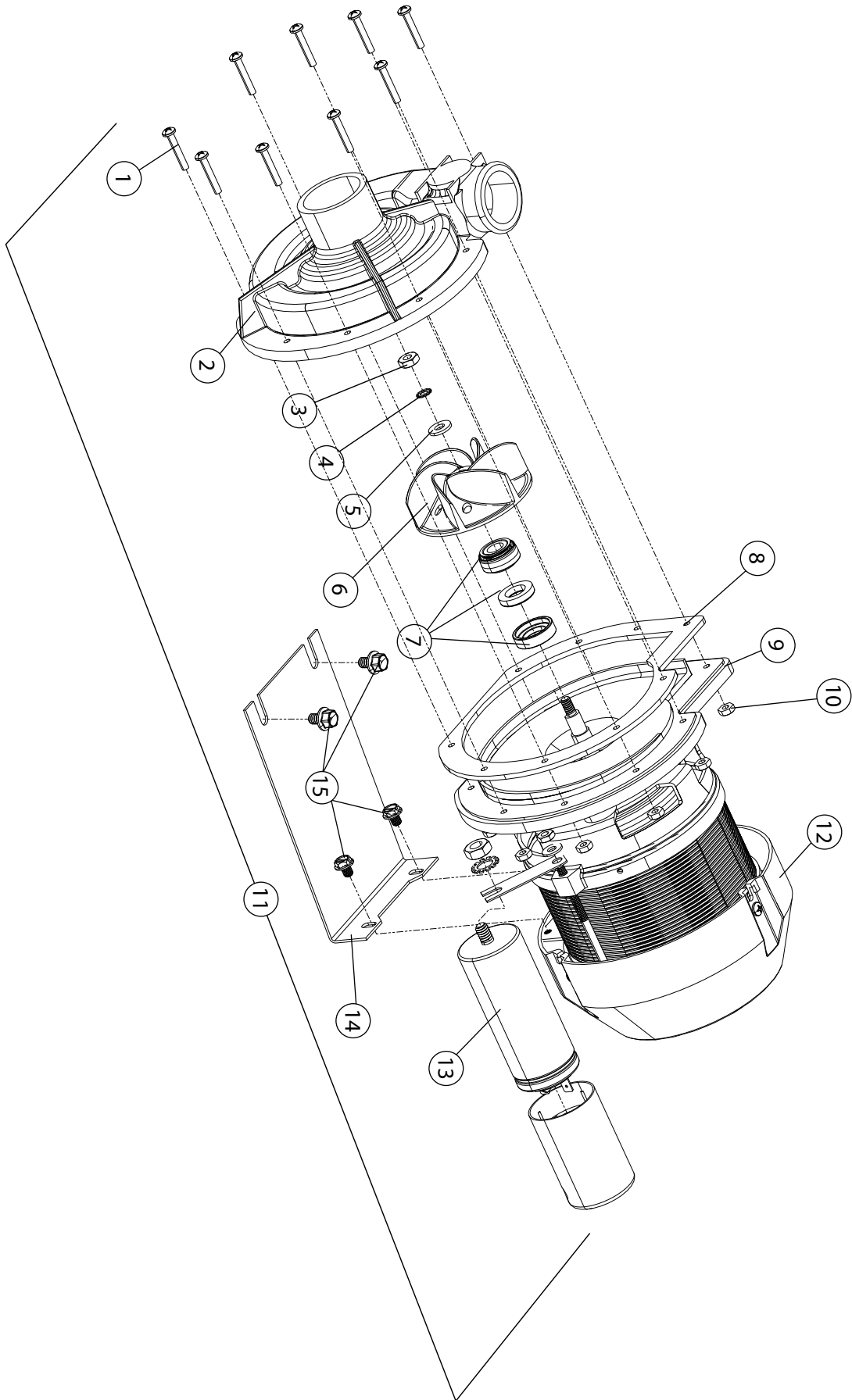
| Item No. | Part No. | Description | Qty. |
|----------|----------|---|------|
| 1 | 0513964 | SCRAP SCREEN | 1 |
| 2 | 0513981 | PUMP SUCTION RING | 1 |
| 3 | 0513962 | GASKET, UPPER SUMP | 1 |
| 4 | 0513970 | HEATER, WASH TANK | 1 |
| 5 | 0513961 | SUMP BOWL | 1 |
| 6 | 201029-1 | LOCKNUT 1/2" NPT NP | 1 |
| 7 | 0501836 | O-RING | 1 |
| 8 | 0512299 | ADAPTOR, THERMISTOR | 1 |
| 9 | 0513310 | THERMISTOR, 10 K Ω , 2 WIRE ASSY | 1 |
| 10 | 102383 | WASHER 17/64" X 1/2" X 0.32 14S | 12 |
| 11 | 107967 | NUT, 1/4-20 W/NYLON INSERT SST | 12 |
| 12 | 0513963 | GASKET, LOWER SUMP | 1 |
| 13 | 0513980 | PUMP SUCTION ELBOW | 1 |

Dish Racks



| Item No. | Part No. | Description | Qty. |
|----------|----------|---------------------------------|------|
| 1 | 101273 | OPTIONAL DISH RACK, FLAT-BOTTOM | AR |
| 2 | 101285 | DISH RACK, PEG | AR |

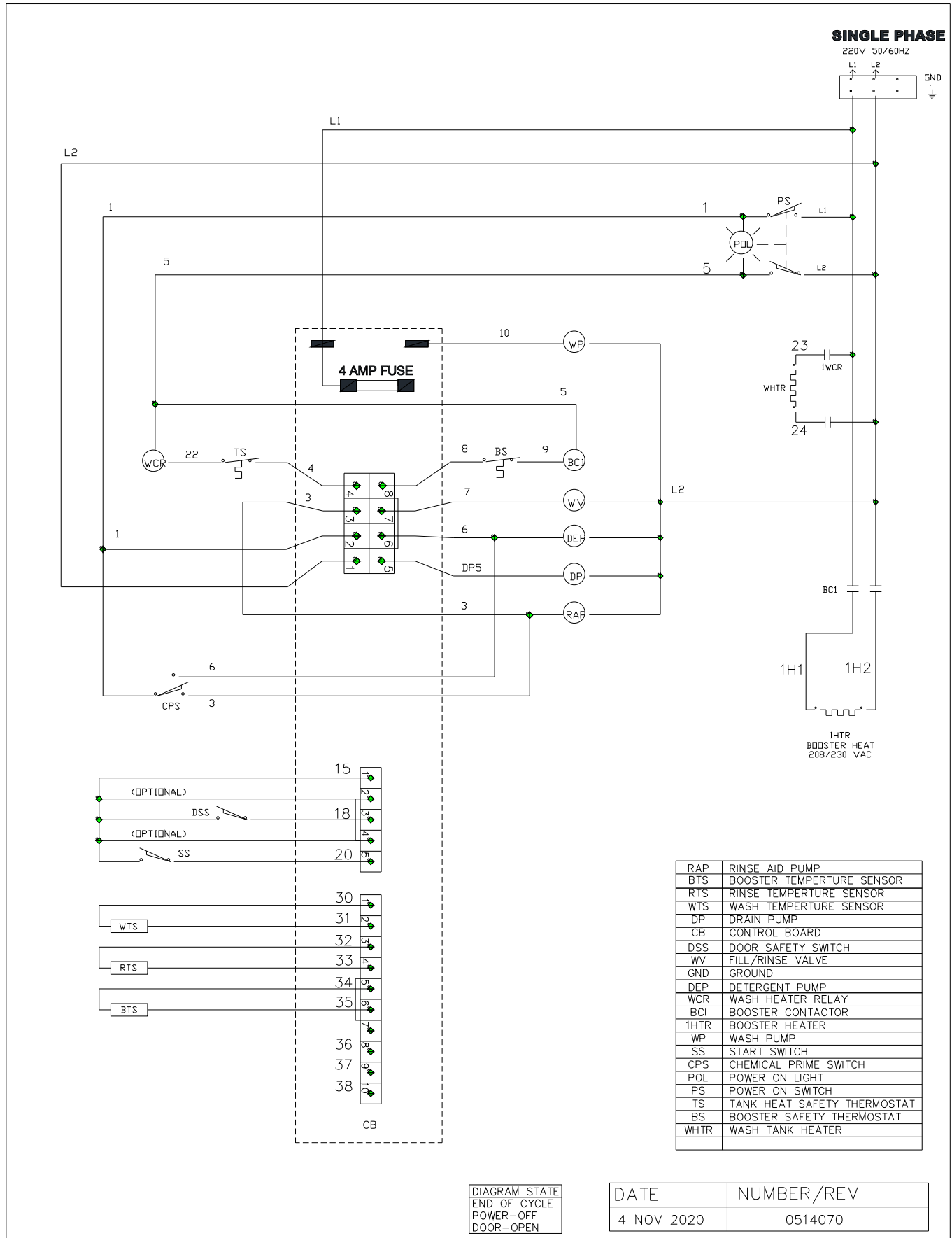
Pump and Motor

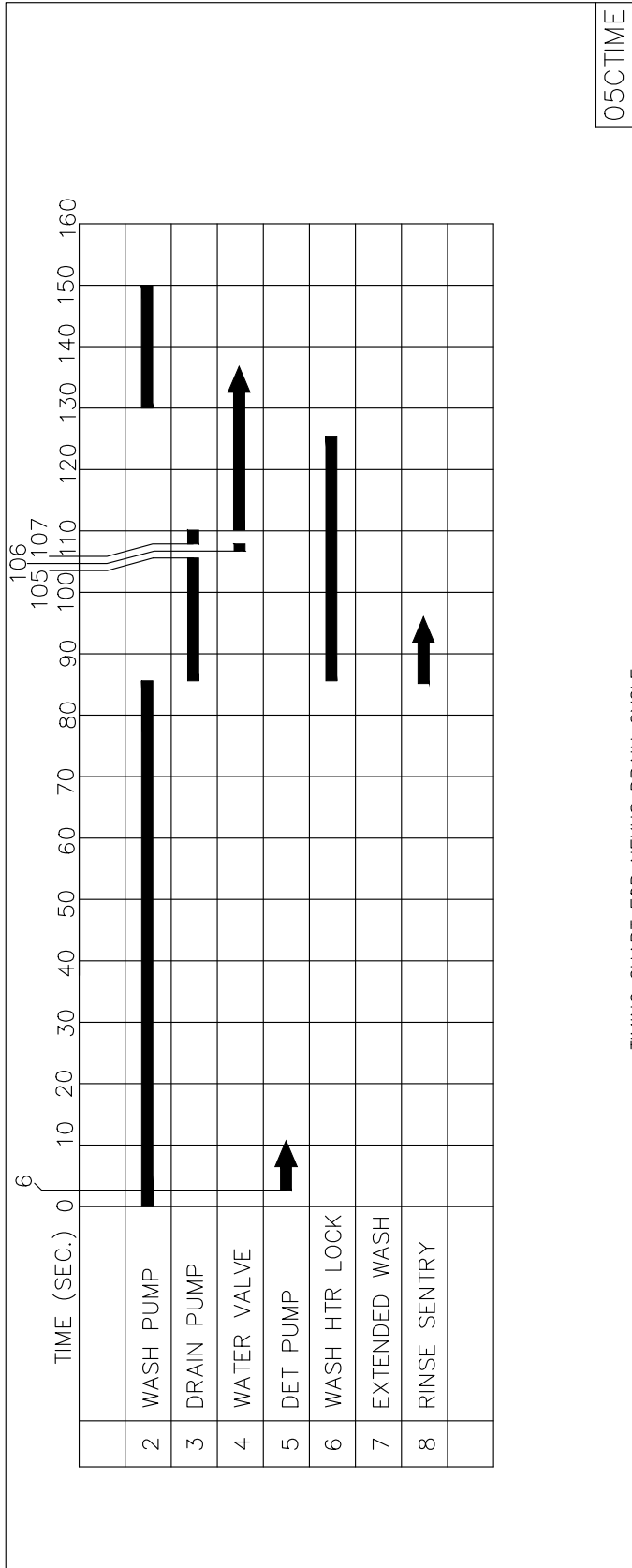


| Item No. | Part No. | Description | Qty. |
|----------|-----------|--|------|
| 1 | 0512340 | SCREW, M4, PHIL, PAN HD. | 9 |
| 2 | 0512341 | IMPELLER HOUSING COVER | 1 |
| 3 | 114144 | NUT, M6 (LEFT-HAND THREAD) | 1 |
| 4 | 0501501 | WASHER, LOCK, 1/4" | 1 |
| 5 | 0501478 | WASHER, PLAIN, 17/64" | 1 |
| 6 | 0513935 | IMPELLER | 1 |
| 7 | 114139 | SEAL, PUMP | 1 |
| 8 | 110285 | GASKET, PUMP | 1 |
| 9 | 114137 | PLATE, PUMP BACKING | 1 |
| 10 | 107337 | NUT, M4 | 9 |
| 11 | 0512101-2 | PUMP/MOTOR ASSEMBLY COMPLETE 220VAC/50-60/1 | 1 |
| 12 | 0513131 | COVER, REAR MOTOR FAN | 1 |
| 13 | H29043 | CAPACITOR 16 μ F | 1 |
| 14 | 0313394 | BRACKET, WASH PUMP M4 | 1 |
| 15 | 0512185 | BOLT, HEX FLANGE 1/4-20 X 3/8" SST | 2 |

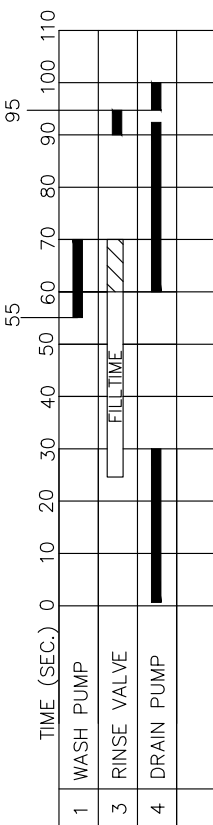
**MOTOR UNAVAILABLE AS SEPARATE PART.
ORDER ITEM 11, PUMP/MOTOR ASSEMBLY P/N 0512101-2.**

Electrical Schematic





TIMING CHART FOR NEXUS DRAIN CYCLE
ACTIVATED 4 SEC. AFTER "POWER" SWITCH IS TURNED OFF



| | | |
|------------------------|----|---------|
| RELEASED TO PRODUCTION | BY | DATE |
| A | CH | 05CTIME |

MOYER DIEBEL LIMITED
TIMING CHART
NEXUS

| TOLERANCE | HOLE DIMENSIONS | | | | | ISSUED |
|--|-----------------|---|-----|-----|------|--------|
| DECIMAL | A | F | DR. | CH. | RTG. | |
| ANGLE | B | G | | | | |
| SCALE 1: 2 | C | H | | | | |
| FORMING DIMENSIONS ARE FROM UNLESS OTHERWISE NOTED | D | J | | | | |
| | E | | | | | |